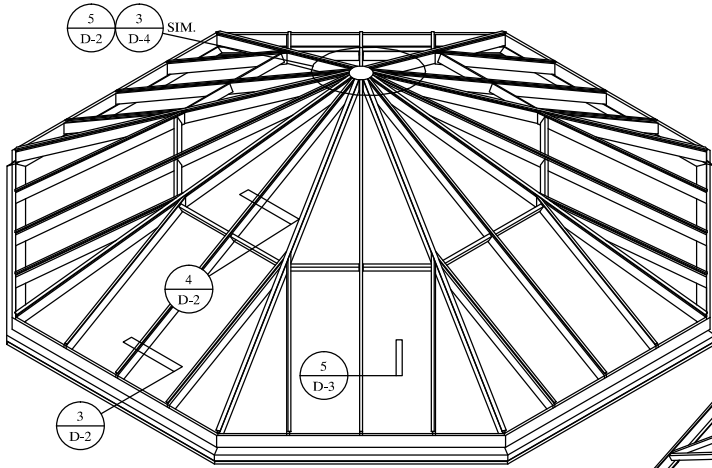
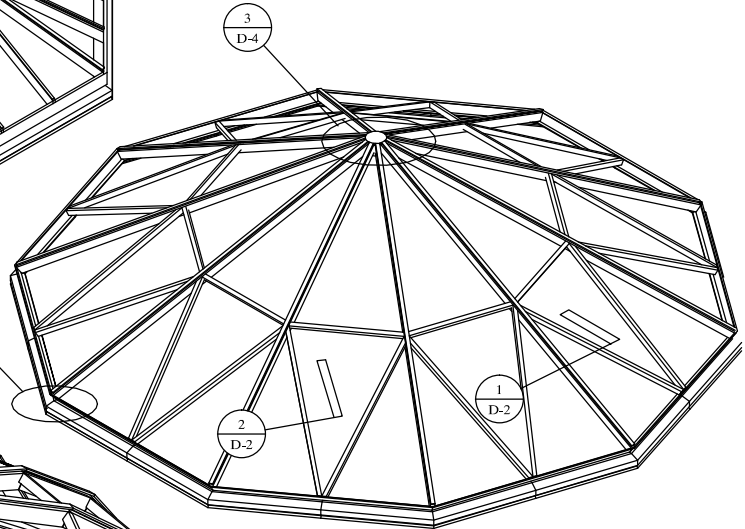


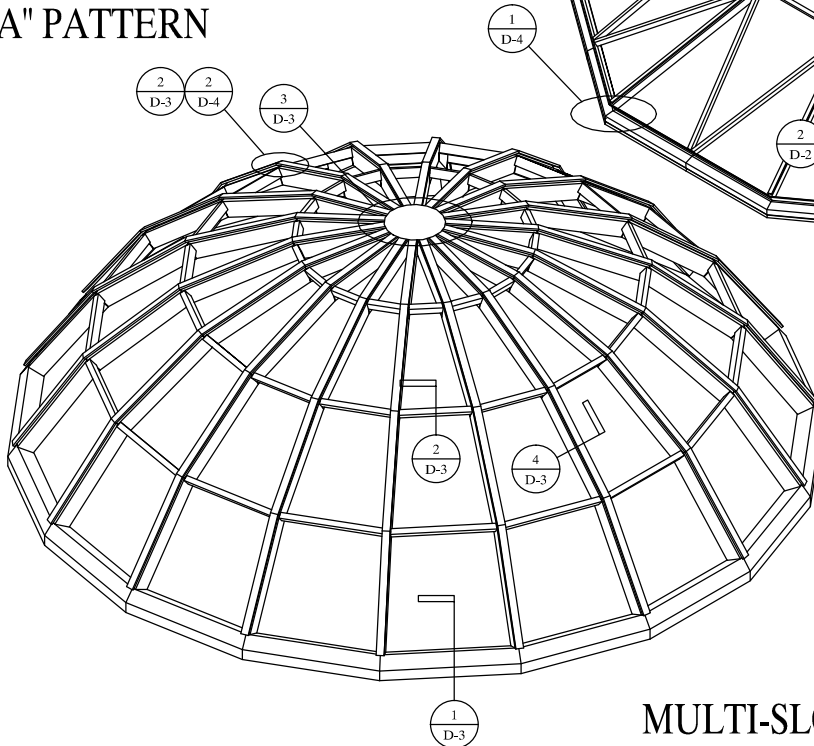
GLASS SYSTEMS: DOME



SINGLE-SLOPE DOME:
"A" PATTERN



SINGLE-SLOPE DOME:
"B" PATTERN



MULTI-SLOPE DOME

Dome skylights are usually five or more curb segments in plan (more than a pyramid) though they have construction methods in common. Domes can be single or multi-sloped. Typical economical framing patterns can be categorized as "A": "radial" and "B": "triangulated" within each structural bay (between hips). Both patterns have many similarly shaped lites, compared to geodesic domes which may have dozens.

Super Sky offers single source responsibility for skylight design, engineering, fabrication, and installation.



SUPER SKY PRODUCTS ENTERPRISES, LLC

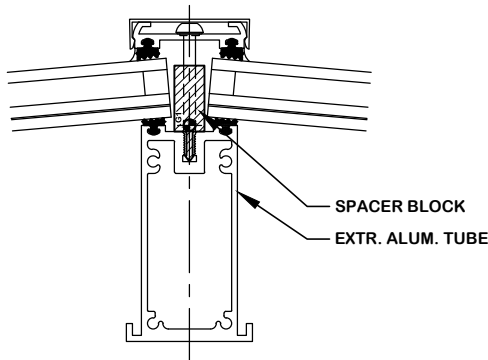
www.supersky.com

10301 N. Enterprise Drive
Mequon, Wisconsin 53092

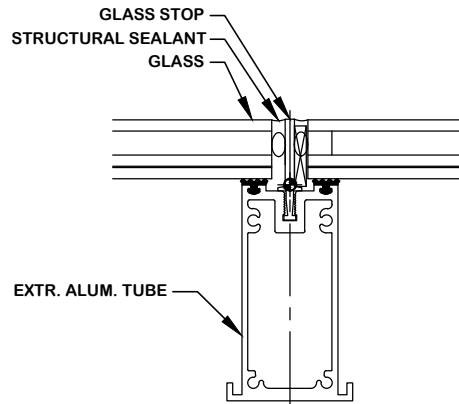
Phone: 262.242.2000
Fax: 262.242.7409

GLASS SYSTEMS: DOME - SINGLE SLOPE

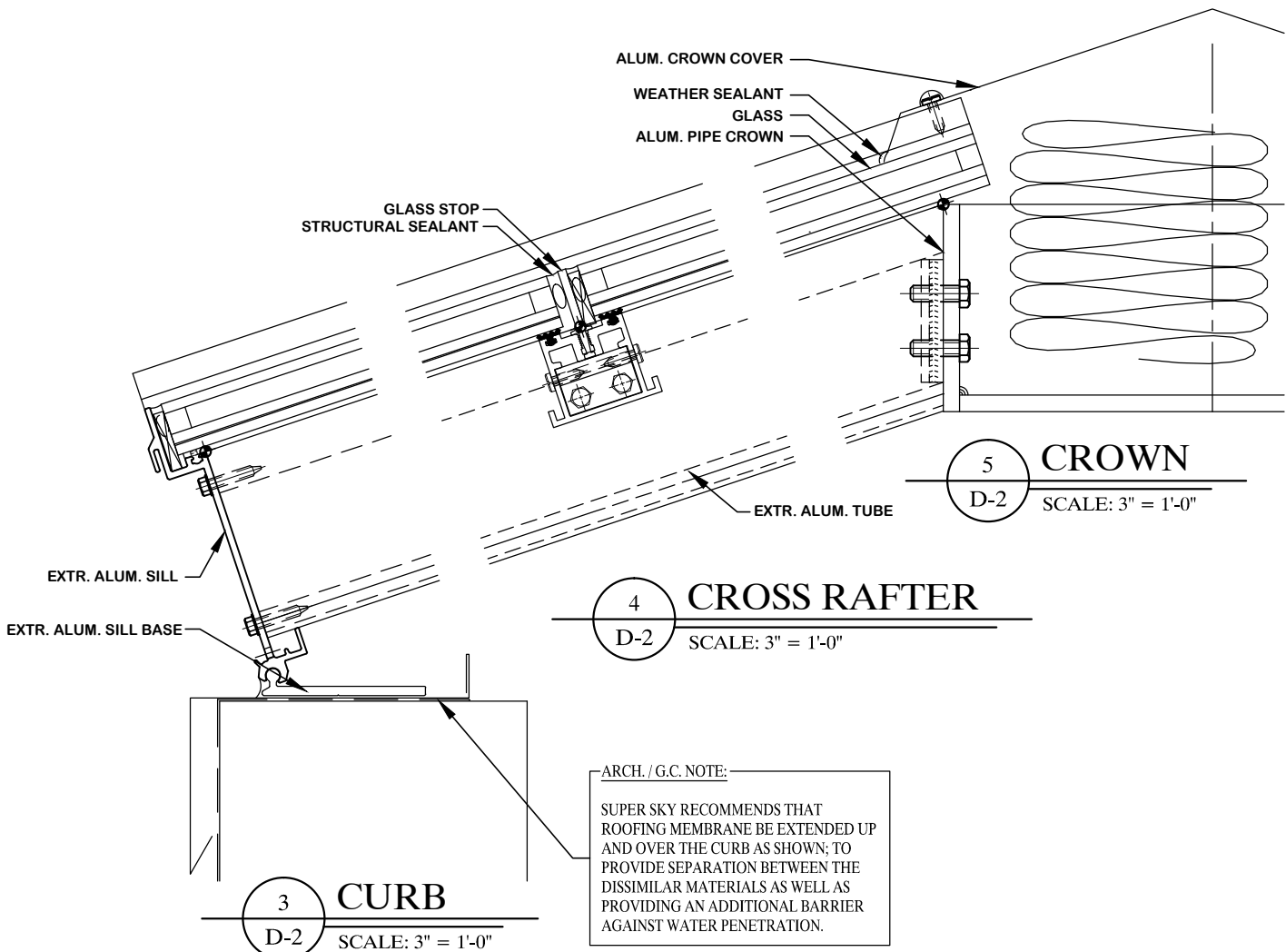
(Note: framing size will be determined per design load criteria)



1 HIP
D-2 SCALE: 3" = 1'-0"



2 JACKRAFTER
D-2 SCALE: 3" = 1'-0"



5 CROWN
D-2 SCALE: 3" = 1'-0"

4 CROSS RAFTER
D-2 SCALE: 3" = 1'-0"

3 CURB
D-2 SCALE: 3" = 1'-0"

ARCH. / G.C. NOTE:
SUPER SKY RECOMMENDS THAT ROOFING MEMBRANE BE EXTENDED UP AND OVER THE CURB AS SHOWN; TO PROVIDE SEPARATION BETWEEN THE DISSIMILAR MATERIALS AS WELL AS PROVIDING AN ADDITIONAL BARRIER AGAINST WATER PENETRATION.

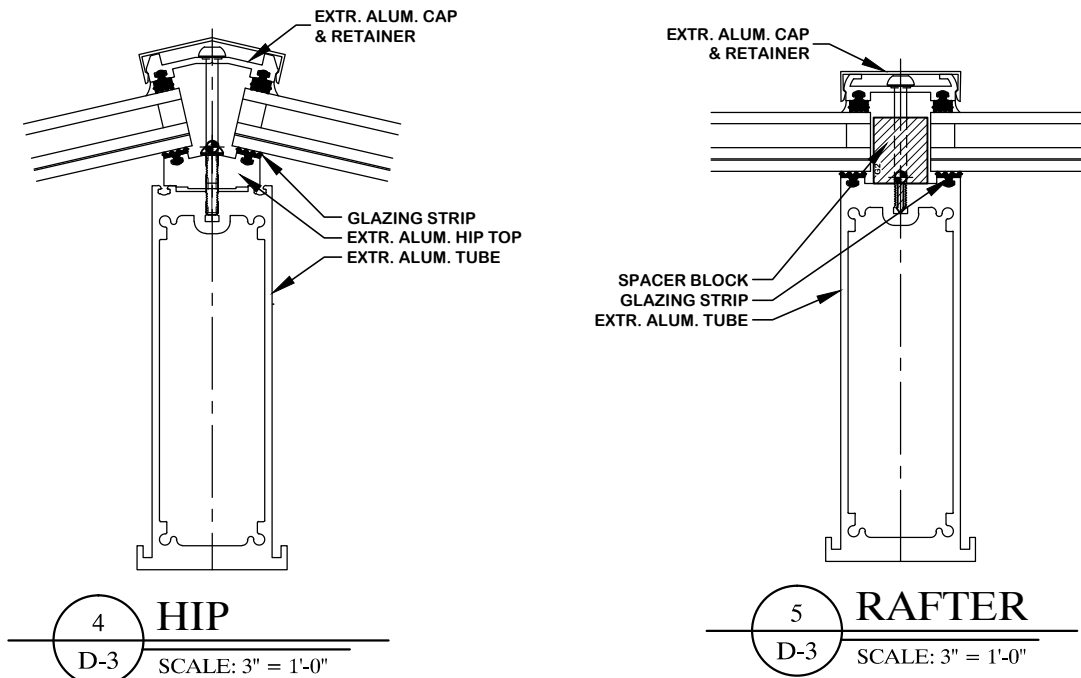
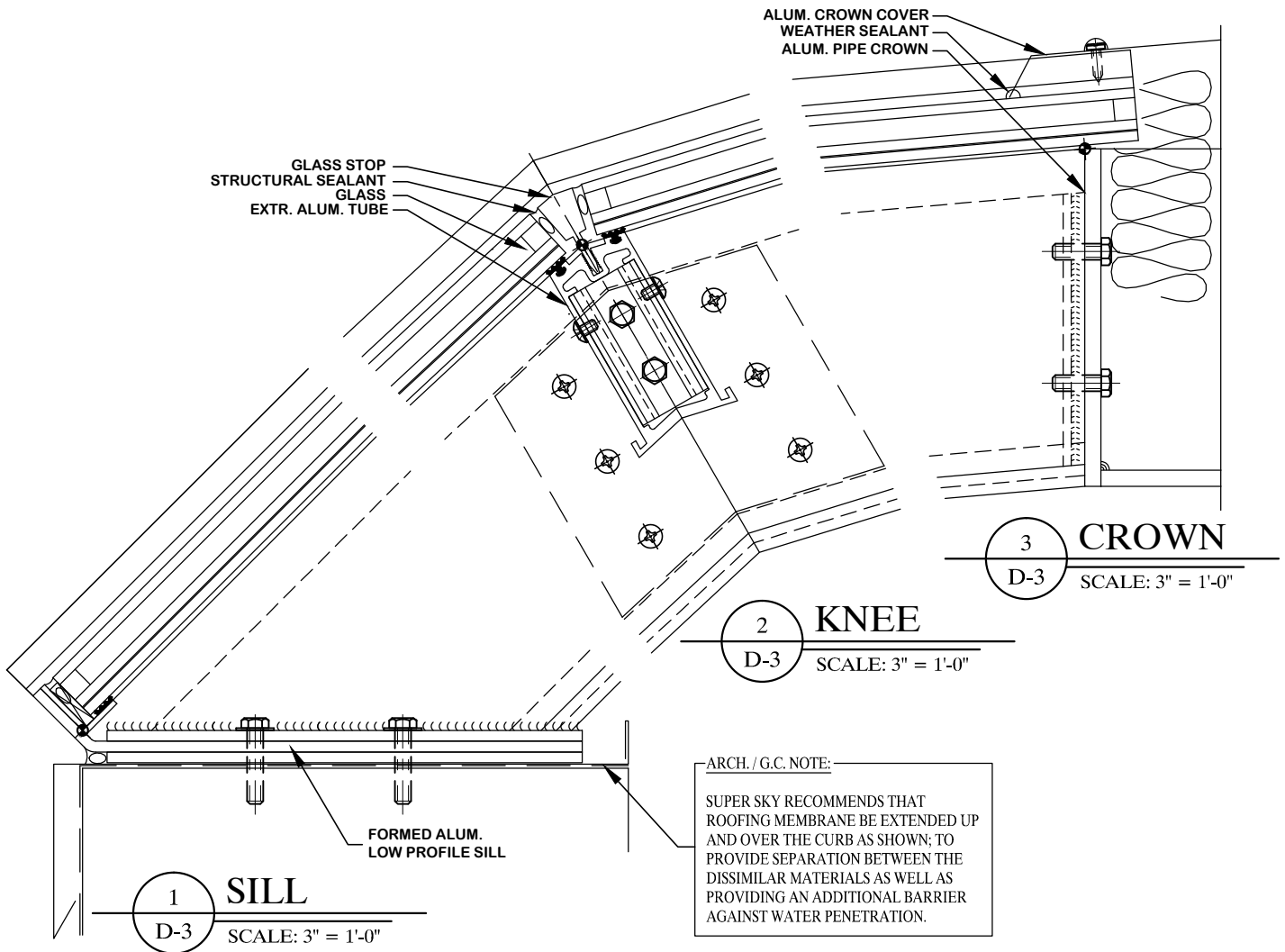
SUPER SKY PRODUCTS ENTERPRISES, LLC

www.supersky.com



GLASS SYSTEMS: DOME - MULTI-SLOPE

(Note: framing size will be determined per design load criteria)



SUPER SKY PRODUCTS ENTERPRISES, LLC

www.supersky.com

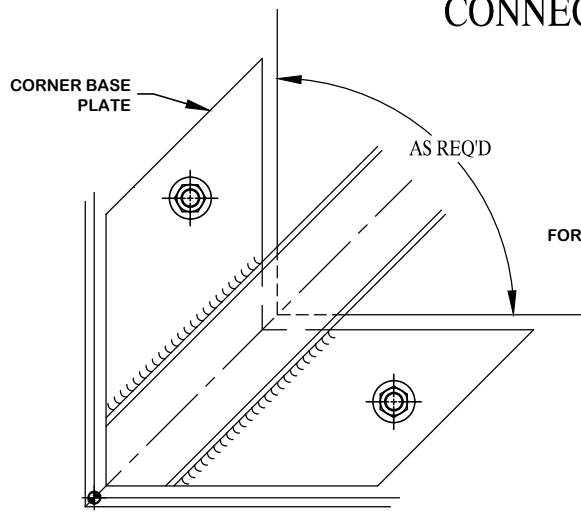
10301 N. Enterprise Drive
Mequon, Wisconsin 53092

Phone: 262.242.2000
Fax: 262.242.7409

D-3

GLASS SYSTEMS: DOME

CONNECTION DETAILS

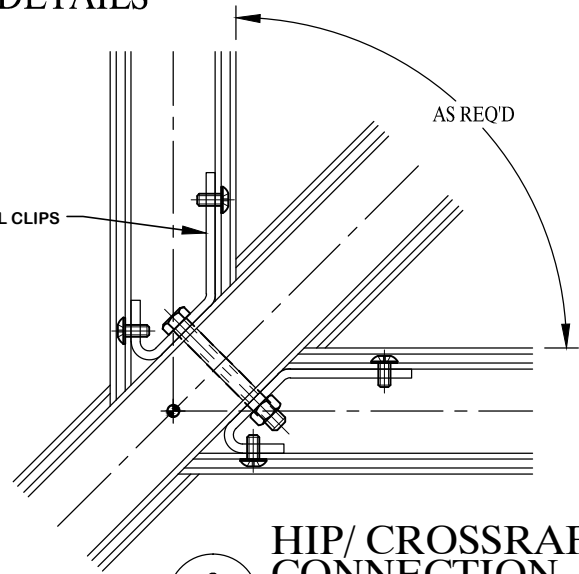


SILL/ HIP CONNECTION

1

D-4

SCALE: 3" = 1'-0"

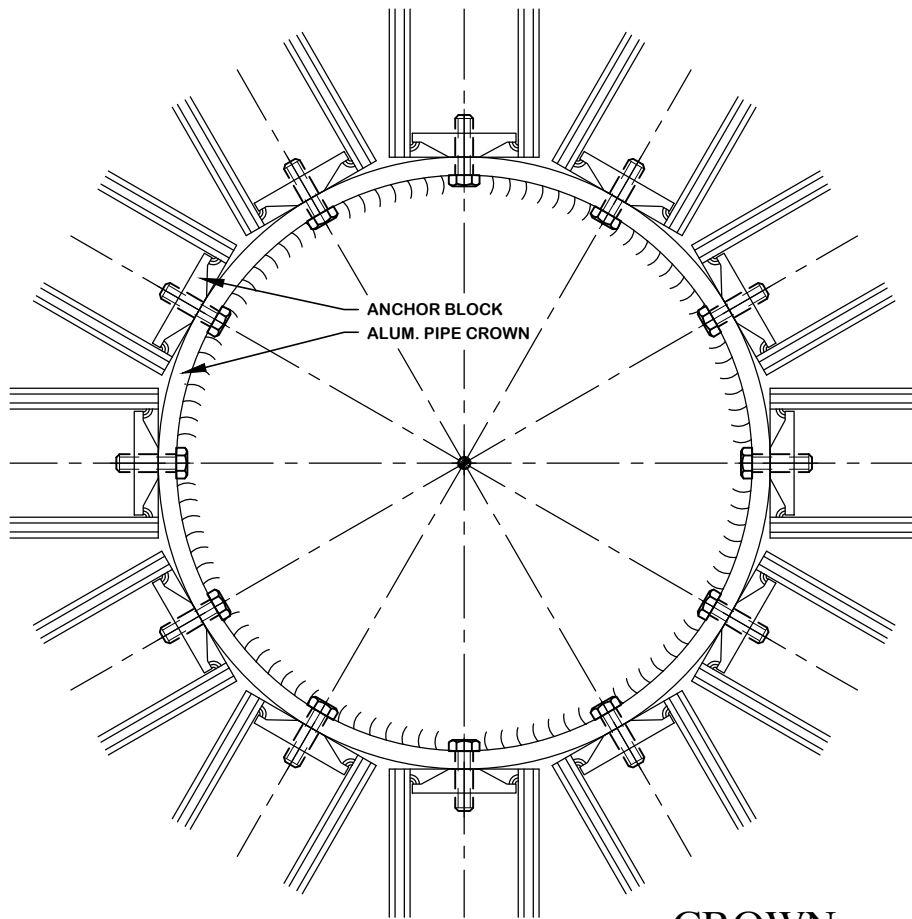


HIP/ CROSSRAFTER CONNECTION

2

D-4

SCALE: 3" = 1'-0"



CROWN CONNECTION

3

D-4

SCALE: 3" = 1'-0"

SUPER SKY PRODUCTS ENTERPRISES, LLC

www.supersky.com

10301 N. Enterprise Drive
Mequon, Wisconsin 53092

Phone: 262.242.2000
Fax: 262.242.7409

