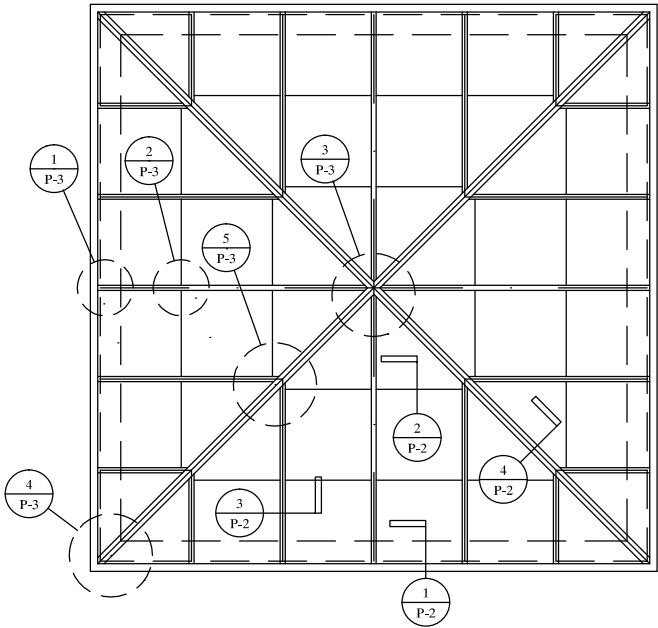
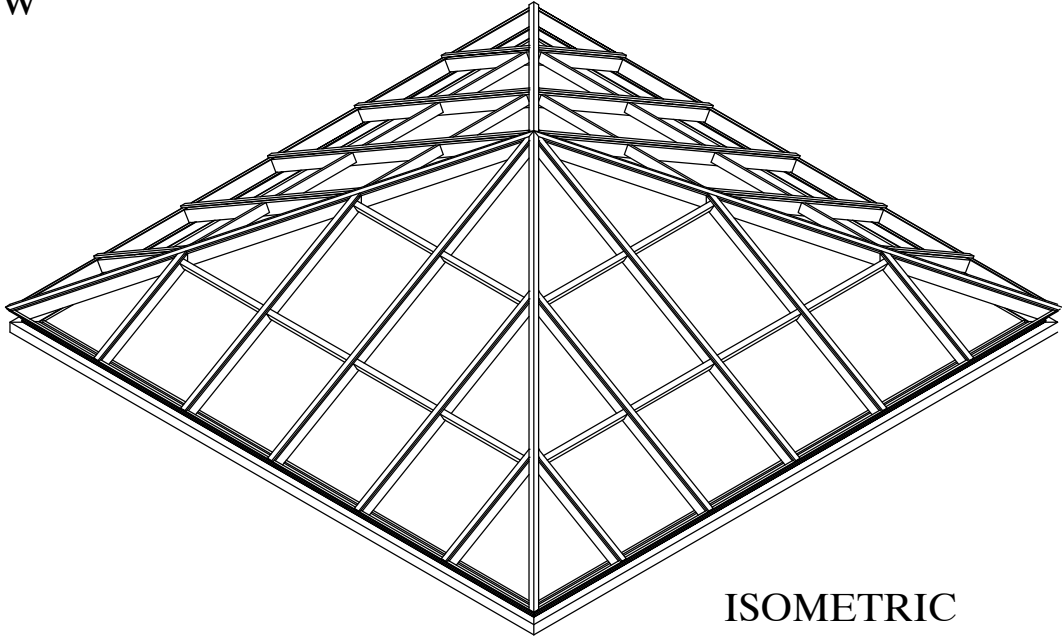


# GLASS SYSTEMS: PYRAMID



PLAN VIEW



ISOMETRIC

Pyramid skylights generally are three or four triangular planes of glass (if there are more, it is a dome), joined by hips to form a peaked skylight. Almost any variation of this basic definition is available.

Super Sky can integrate vertical glazing below the sill in one product system, with single source responsibility for skylight design, engineering, fabrication, and installation.



**SUPER SKY PRODUCTS ENTERPRISES, LLC**

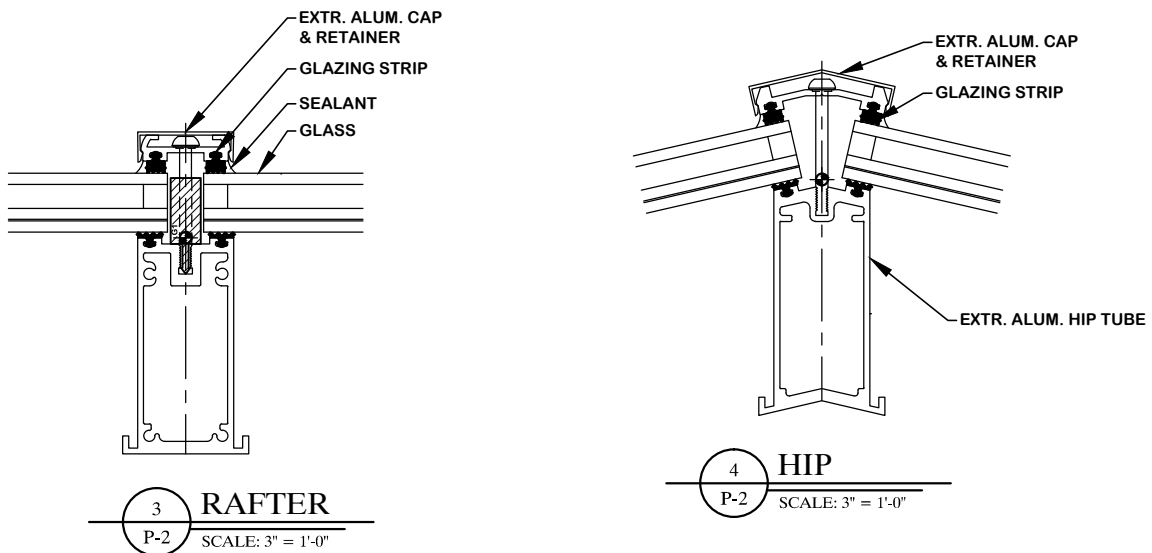
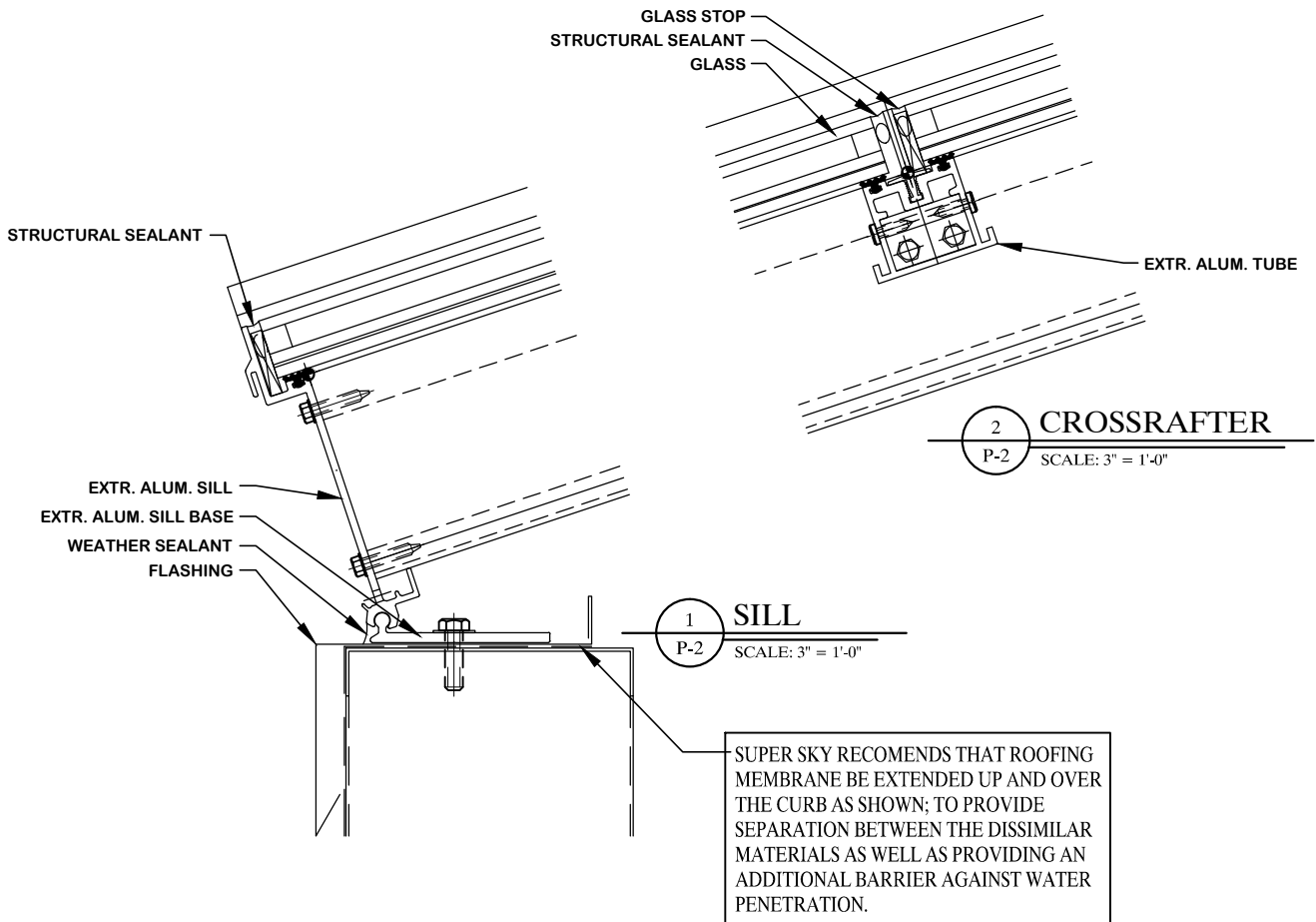
[www.supersky.com](http://www.supersky.com)

10301 N. Enterprise Drive  
Mequon, Wisconsin 53092

Phone: 262.242.2000  
Fax: 262.242.7409

# GLASS SYSTEMS: PYRAMID

*(Note, framing size will be determined per design load criteria)*



**SUPER SKY PRODUCTS ENTERPRISES, LLC**

www.supersky.com

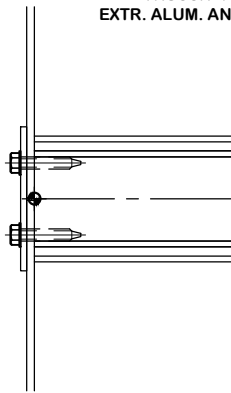
10301 N. Enterprise Drive  
Mequon, Wisconsin 53092

Phone: 262.242.2000  
Fax: 262.242.7409



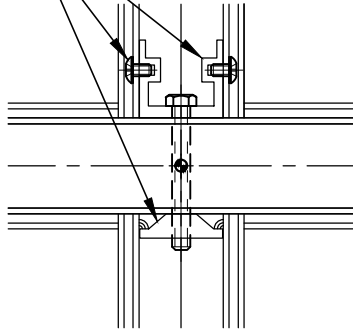
# GLASS SYSTEMS: PYRAMID

EXTR. ALUM. CHANNEL  
TRUSSHEAD FASTENER  
EXTR. ALUM. ANCHOR PLATE

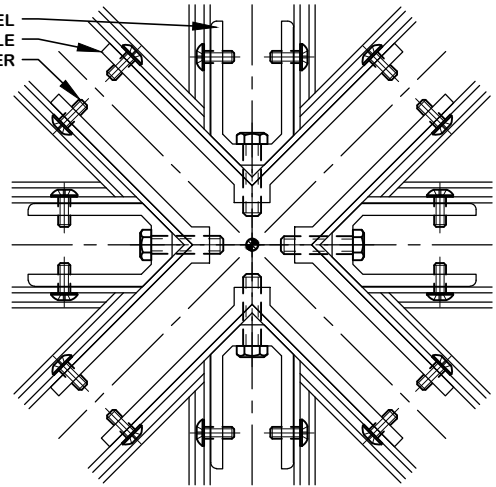


1  
P-3  
**SILL CONNECTION**  
SCALE: 3" = 1'-0"

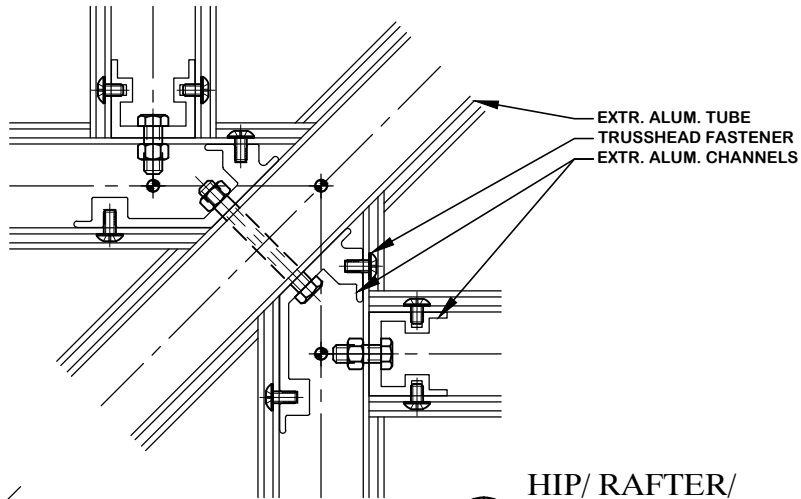
EXTR. ALUM. CHANNEL  
EXTR. ALUM. ANGLE  
TRUSSHEAD FASTENER



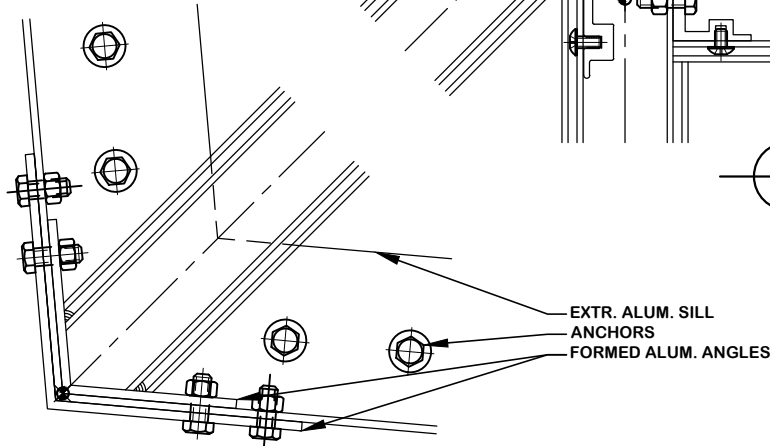
2  
P-3  
**RAFTER CONNECTION**  
SCALE: 3" = 1'-0"



3  
P-3  
**APEX CONNECTION**  
SCALE: 3" = 1'-0"



5  
P-3  
**HIP/ RAFTER/  
CROSSBAR**  
SCALE: 3" = 1'-0"



4  
P-3  
**SILL / HIP**  
SCALE: 3" = 1'-0"



**SUPER SKY PRODUCTS ENTERPRISES, LLC**

www.supersky.com

10301 N. Enterprise Drive  
Mequon, Wisconsin 53092

Phone: 262.242.2000  
Fax: 262.242.7409