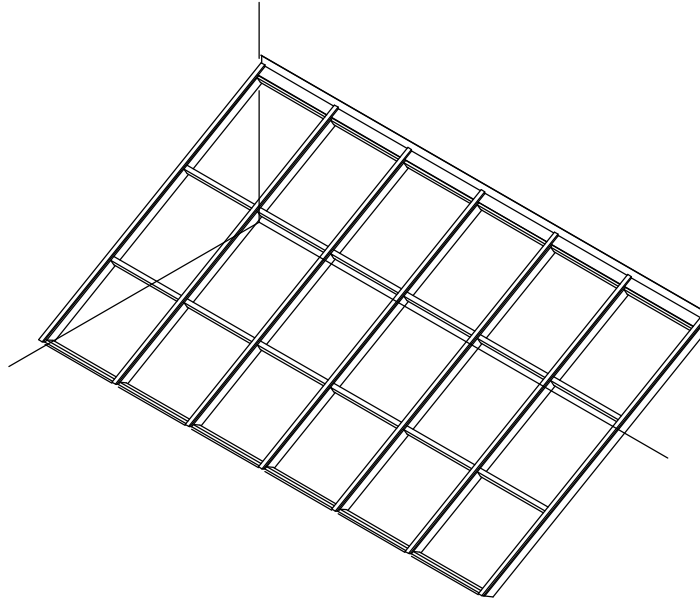
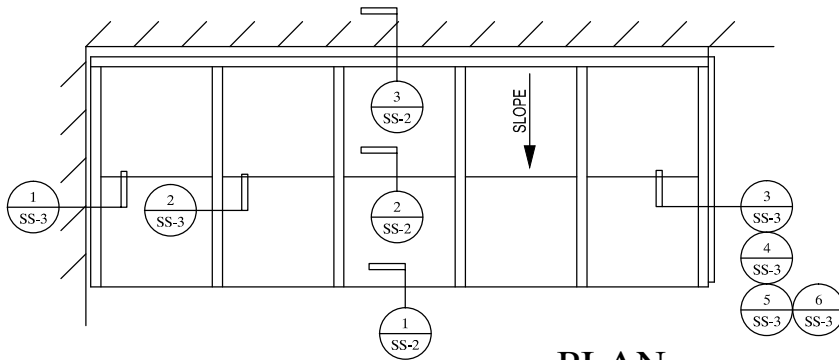


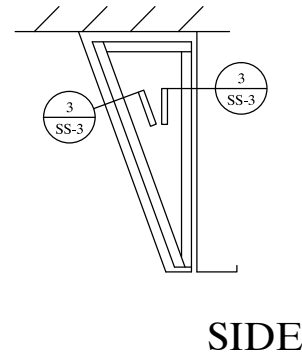
GLASS SYSTEMS: SINGLE SLOPE



ISOMETRIC



PLAN



SIDE

Single Slope skylights generally are one plane of glass, though two or more could be joined by hips or valleys, or turn into the vertical plane with a "knee". Single slopes can also have vertical ends, forming greenhouse-like enclosures. Most details of plane changes can be accomplished with a single extrusion, though engineering may require doubled framing members to allow for movement, or building structure tolerances.

Super Sky can integrate vertical glazing below the sill in one product system, with single source responsibility for skylight design, engineering, fabrication, and installation.



SUPER SKY PRODUCTS ENTERPRISES, LLC

www.supersky.com

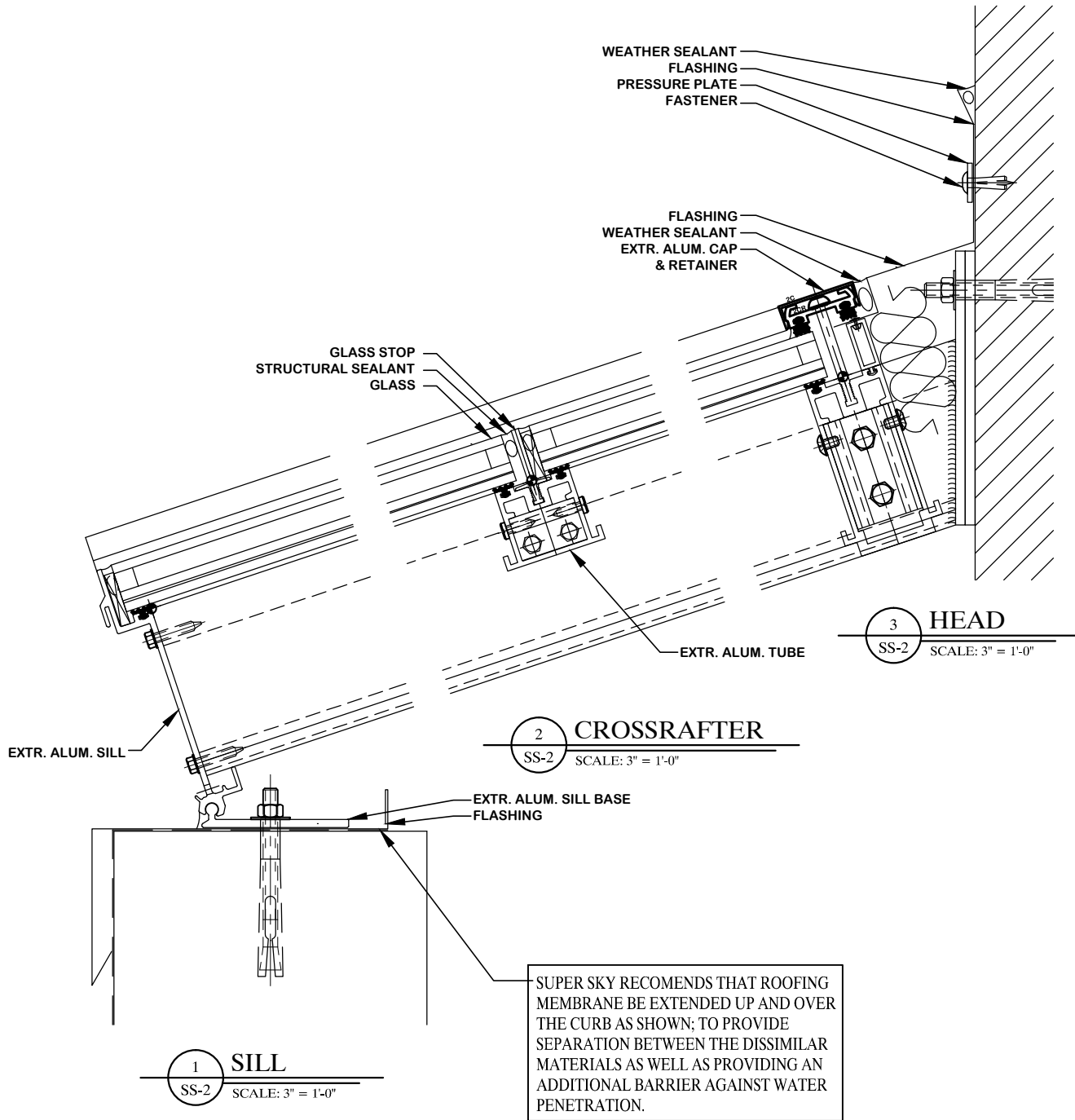
10301 N. Enterprise Drive
Mequon, Wisconsin 53092

Phone: 262.242.2000
Fax: 262.242.7409

SS-1

GLASS SYSTEMS: SINGLE SLOPE

(Note, framing size will be determined per design load criteria)



SUPER SKY PRODUCTS ENTERPRISES, LLC

www.supersky.com

SS-2

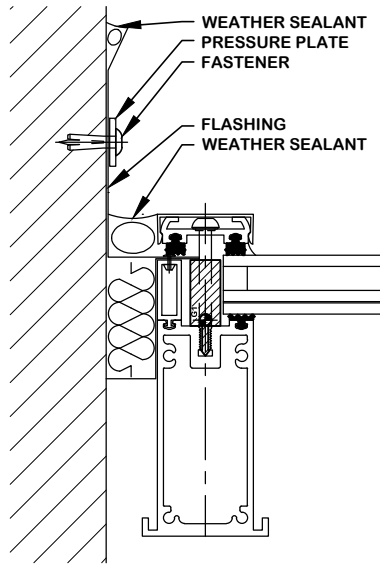
10301 N. Enterprise Drive
Mequon, Wisconsin 53092

Phone: 262.242.2000
Fax: 262.242.7409

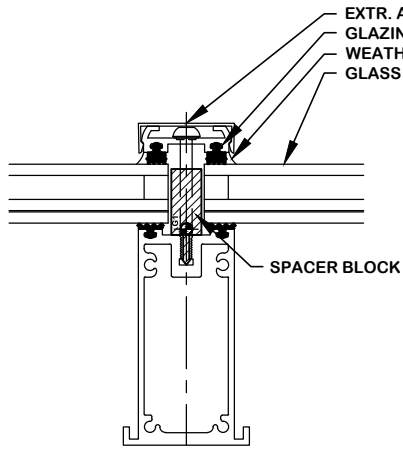


GLASS SYSTEMS: SINGLE SLOPE

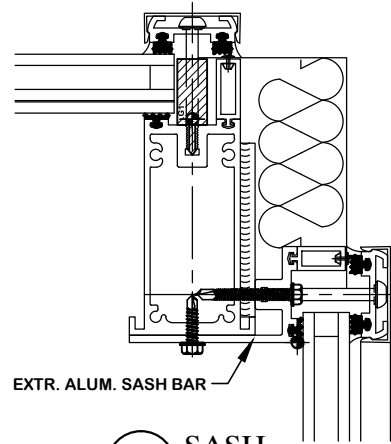
(Note, framing size will be determined per design load criteria)



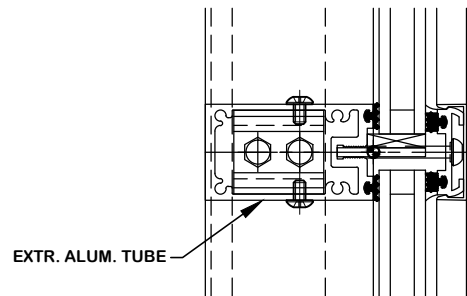
1 END RAFTER
SS-3 SCALE: 3" = 1'-0"



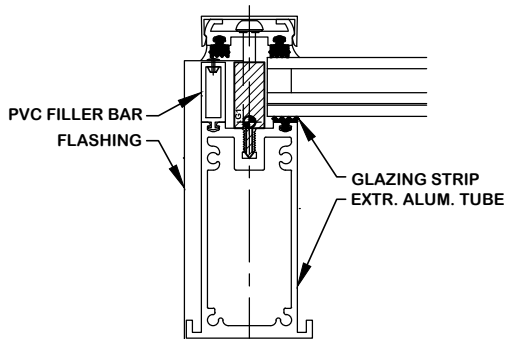
2 RAFTER
SS-3 SCALE: 3" = 1'-0"



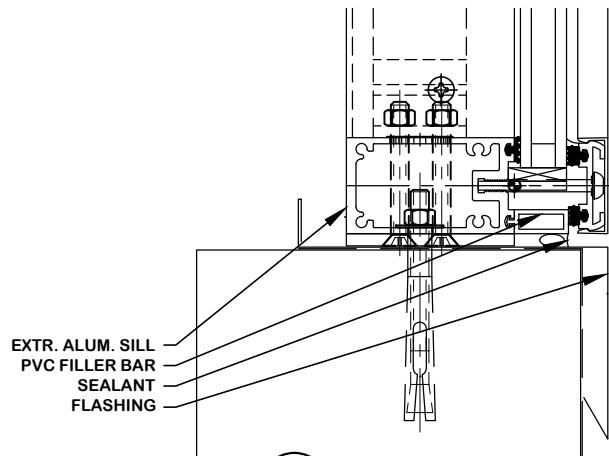
3 SASH
SS-3 SCALE: 3" = 1'-0"



4 CROSSRAFTER
SS-3 SCALE: 3" = 1'-0"



6 END RAFTER
SS-3 SCALE: 3" = 1'-0"



5 SILL
SS-3 SCALE: 3" = 1'-0"



SUPER SKY PRODUCTS ENTERPRISES, LLC

www.supersky.com

10301 N. Enterprise Drive
Mequon, Wisconsin 53092

Phone: 262.242.2000
Fax: 262.242.7409

SS-3