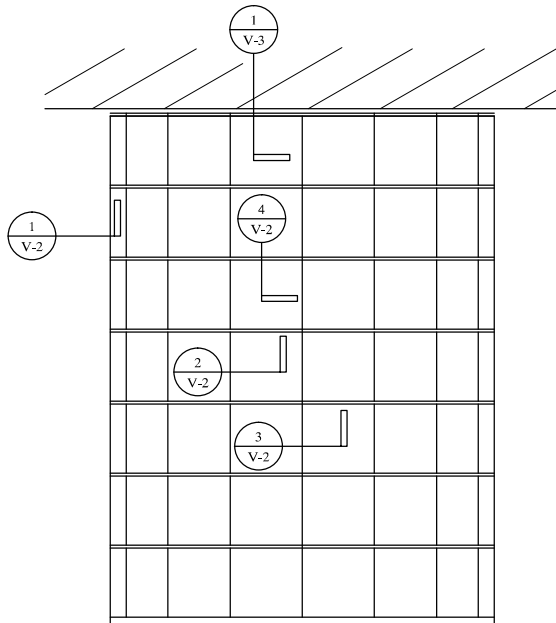
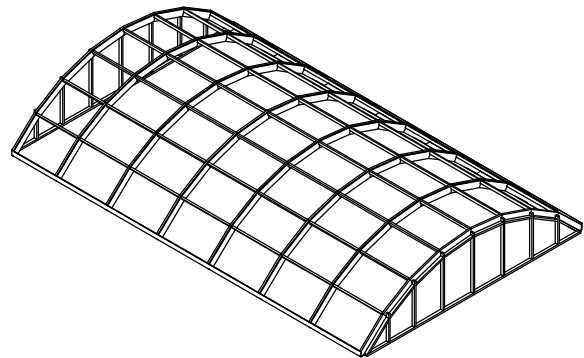


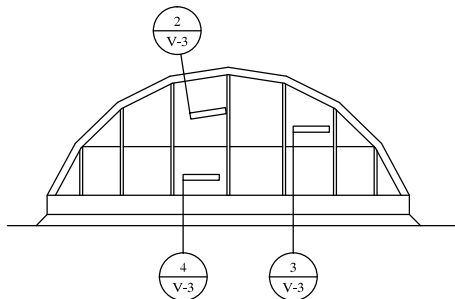
GLASS SYSTEMS: SEGMENTED VAULT



PLAN



ISOMETRIC



ELEVATION

Segmented Vault skylights, contain multiple facets of frame and glass. Any number of sloped segments are possible, governed only by economical lite size and reasonable frame segmentation. It is highly advisable to limit segments to even numbers, avoiding a flat lite at the top to prevent ponding water. Vaults do not have to be semi-circular in cross section. Lower profiles (down to about 20% of the width), can result in dramatic vaulted forms at great savings in surface area and therefore, cost. Vaults can also have vertical or domed ends.

Super Sky can integrate vertical glazing below the sill in one product system with single source responsibility for skylight design, engineering, fabrication and installation.

Curved vault skylights with bent glass are available. Contact us for information.



SUPER SKY PRODUCTS ENTERPRISES, LLC

www.supersky.com

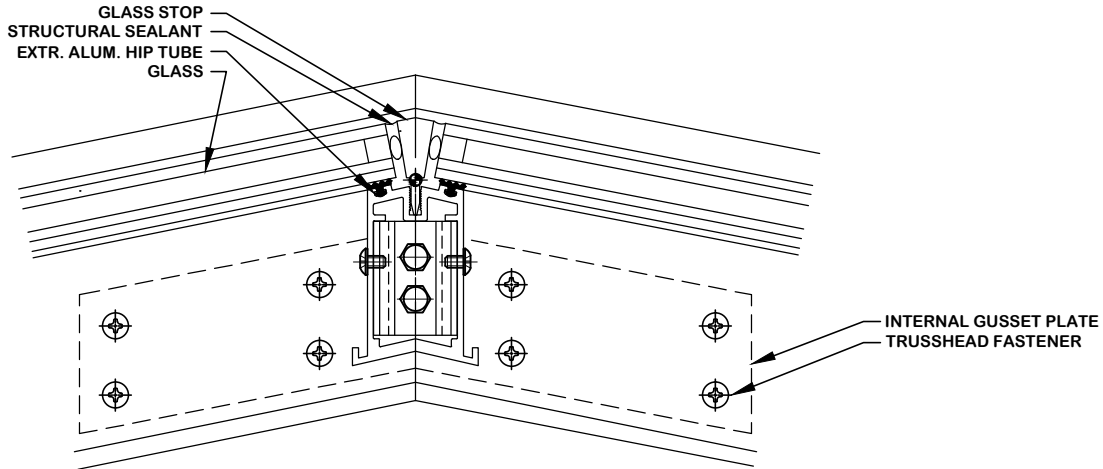
10301 N. Enterprise Drive
Mequon, Wisconsin 53092

Phone: 262.242.2000
Fax: 262.242.7409

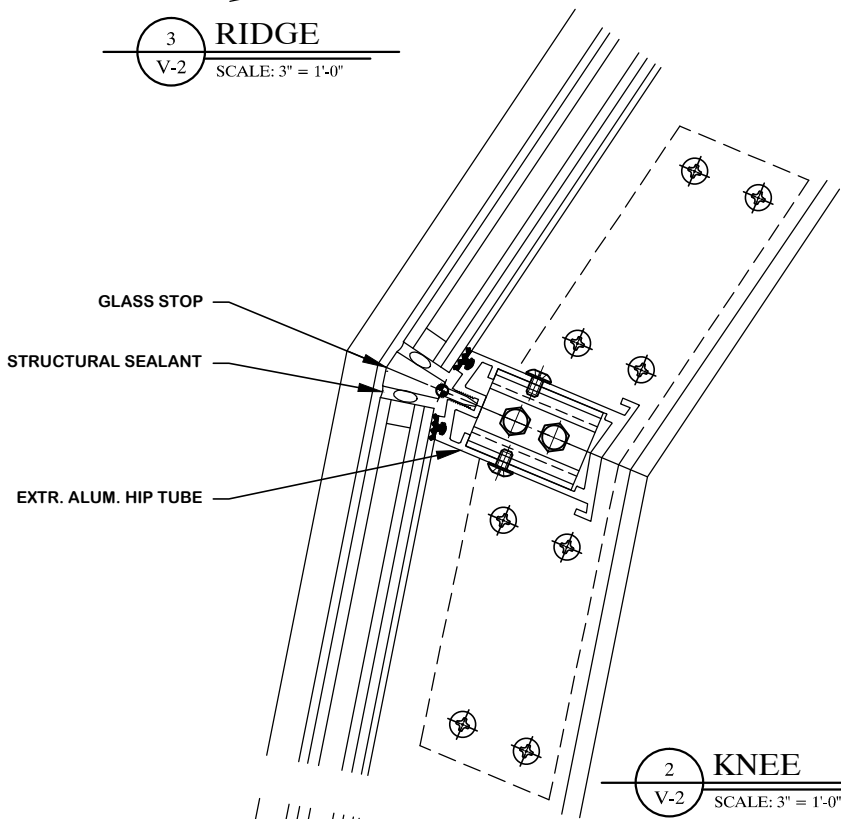
V-1

GLASS SYSTEMS: SEGMENTED VAULT

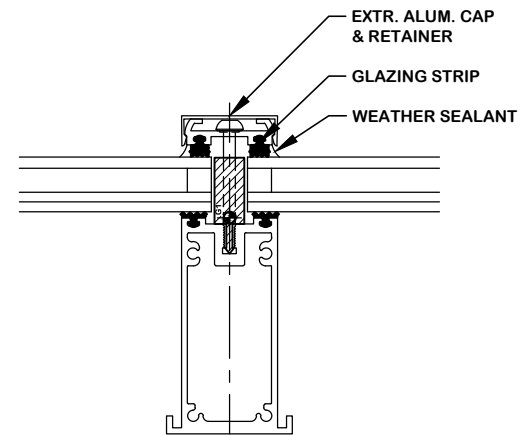
(Note, framing size will be determined per design load criteria)



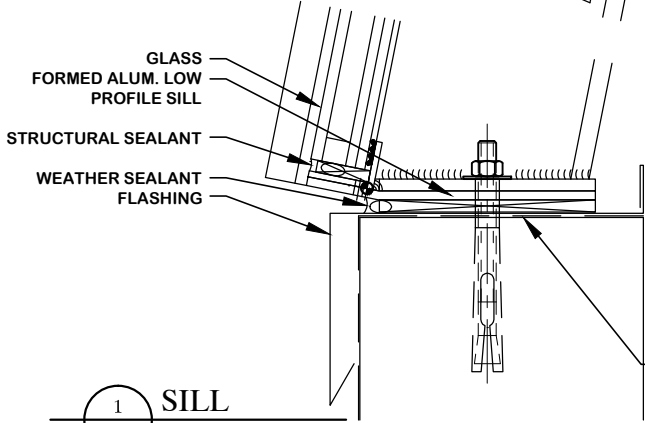
3 RIDGE
V-2 SCALE: 3" = 1'-0"



2 KNEE
V-2 SCALE: 3" = 1'-0"



4 RAFTER
V-2 SCALE: 3" = 1'-0"



1 SILL
V-2 SCALE: 3" = 1'-0"

ARCH. / G.C. NOTE:
SUPER SKY RECOMMENDS THAT ROOFING MEMBRANE BE EXTENDED UP AND OVER THE CURB AS SHOWN; TO PROVIDE SEPARATION BETWEEN THE DISSIMILAR MATERIALS AS WELL AS PROVIDING AN ADDITIONAL BARRIER AGAINST WATER PENETRATION.

SUPER SKY PRODUCTS ENTERPRISES, LLC

www.supersky.com

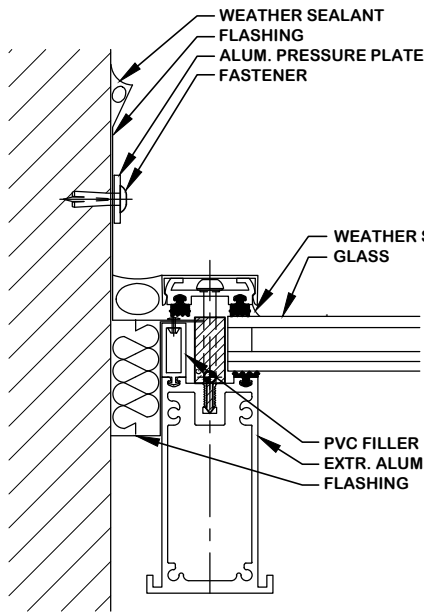
10301 N. Enterprise Drive
Mequon, Wisconsin 53092

Phone: 262.242.2000
Fax: 262.242.7409

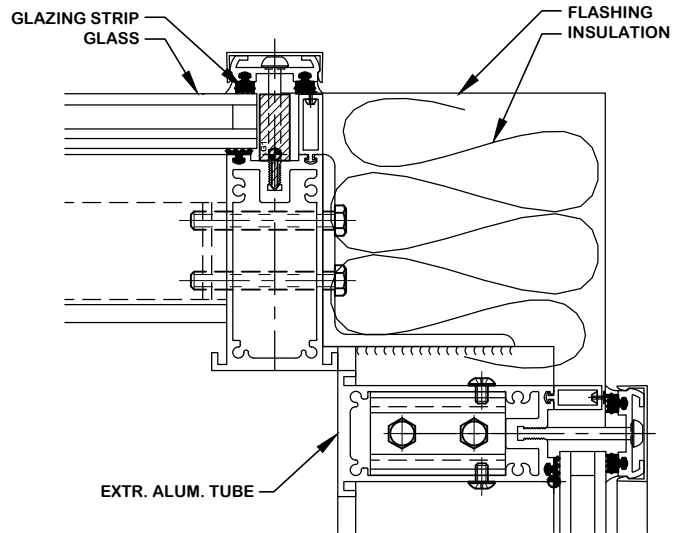


GLASS SYSTEMS: SEGMENTED VAULT

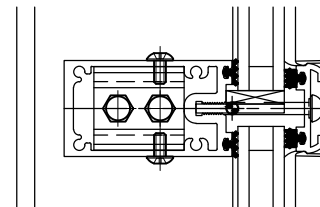
(Note, framing size will be determined per design load criteria)



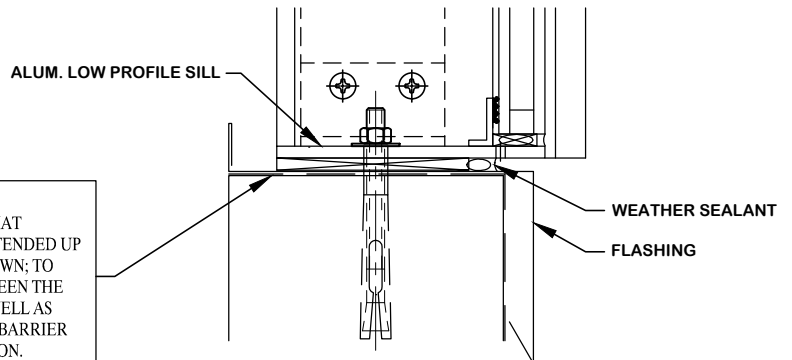
1 END RAFTER
V-3 SCALE: 3" = 1'-0"



2 END RAFTER
V-3 SCALE: 3" = 1'-0"



3 CROSSBAR
V-3 SCALE: 3" = 1'-0"



ARCH. / G.C. NOTE:
SUPER SKY RECOMMENDS THAT ROOFING MEMBRANE BE EXTENDED UP AND OVER THE CURB AS SHOWN; TO PROVIDE SEPARATION BETWEEN THE DISSIMILAR MATERIALS AS WELL AS PROVIDING AN ADDITIONAL BARRIER AGAINST WATER PENETRATION.

4 SILL
V-3 SCALE: 3" = 1'-0"



SUPER SKY PRODUCTS ENTERPRISES, LLC

www.supersky.com

10301 N. Enterprise Drive
Mequon, Wisconsin 53092

Phone: 262.242.2000
Fax: 262.242.7409

V-3