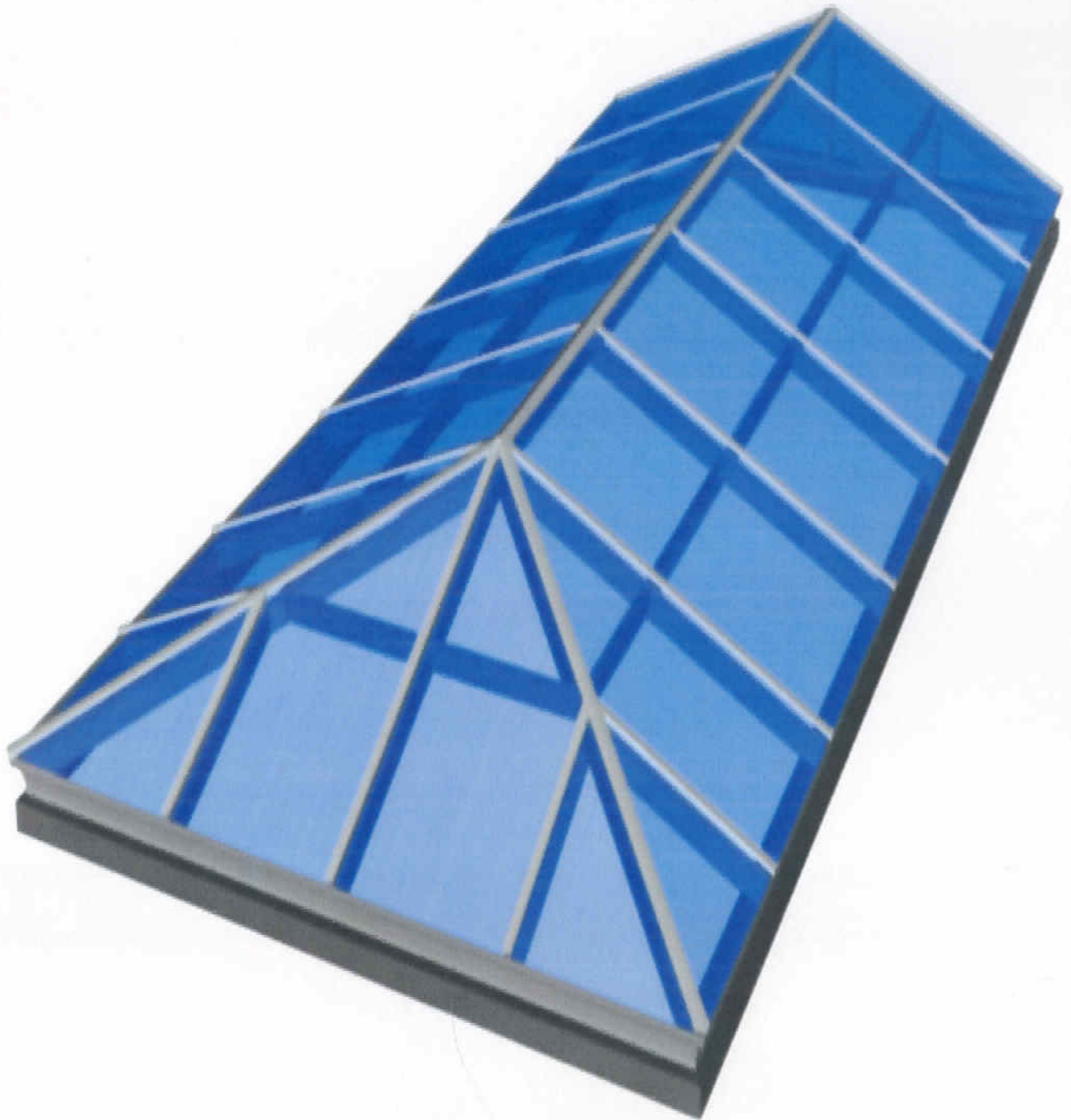


# RIDGE SKYLIGHTS

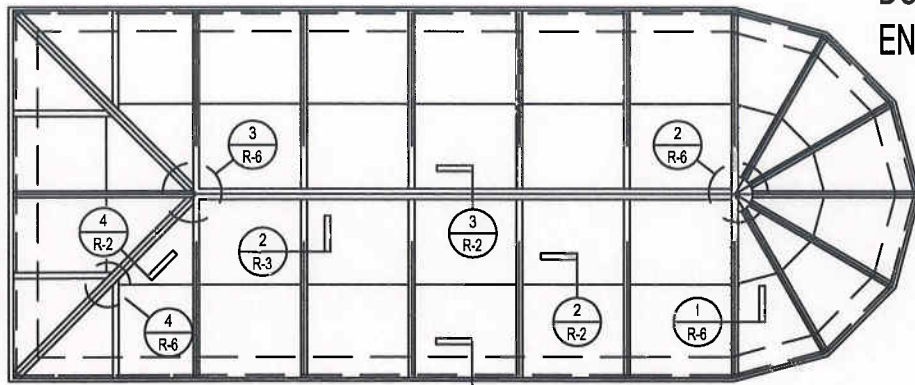
## GLASS SYSTEM



**SUPER SKY**  
**PRODUCTS, INC.**

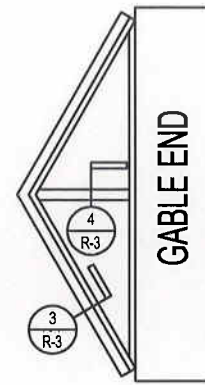
10301 N. Enterprise Drive  
Mequon, Wisconsin 53092  
Phone: (262) 242-2000  
Fax: (262) 242-7409  
[www.supersky.com](http://www.supersky.com)

**R-CVR**

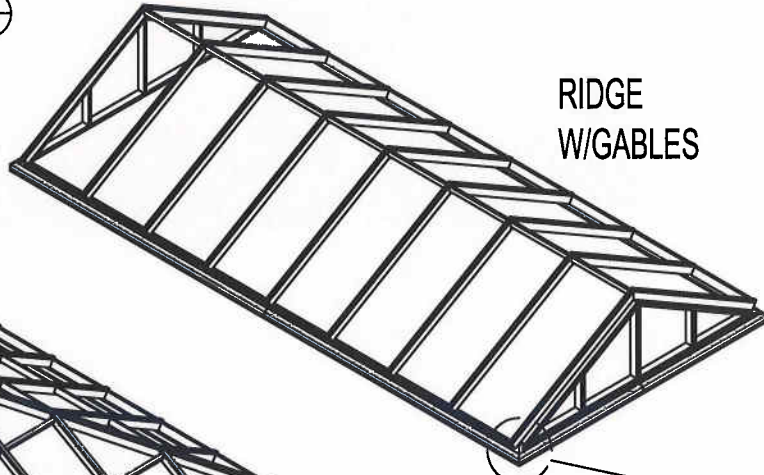


PLAN VIEW

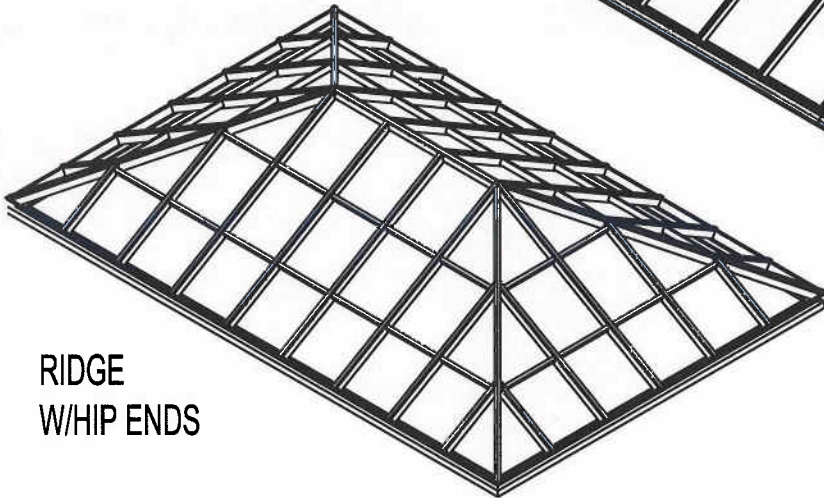
DOME  
END



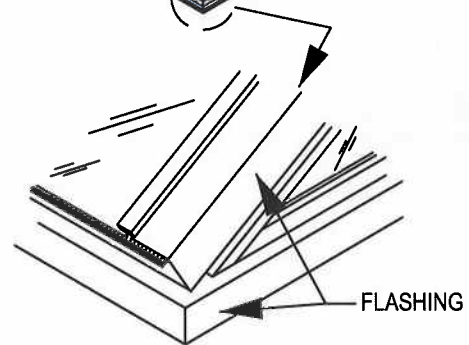
GABLE  
END



RIDGE  
W/GABLES



RIDGE  
W/HIP ENDS



FLASHING

## RIDGE SKYLIGHTS

Generally, two equal planes of glass, equally sloped, joined by a single ridge extrusion, though double ridge bars may be used in special cases. Ridge forms may include turning down into the vertical plane with a "knee". Ridges can also have vertical ends, hipped ends, pointed hips and single sloped domed or fanned ends. Ridges may also have unequal slope angles and/or lengths, and may be considered "sawtooth" ridges if a single slope is attached to a vertical or near vertical back-wall.

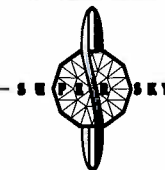
Most details of plane-changes can be accomplished with a single extrusion, though engineering may require doubled framing members to allow for movement or to avoid thermal expansion problems. Super Sky Products can integrate vertical glazing planes in one product system, with single source responsibility for ridge skylight design, engineering, fabrication, installation and a ten-year guarantee.

Please note that the supporting structural curbs must resist horizontal thrust loads, unless the design is specified as a minimal horizontal thrust design. This requires larger extrusions and "moment" plates at the ridge.

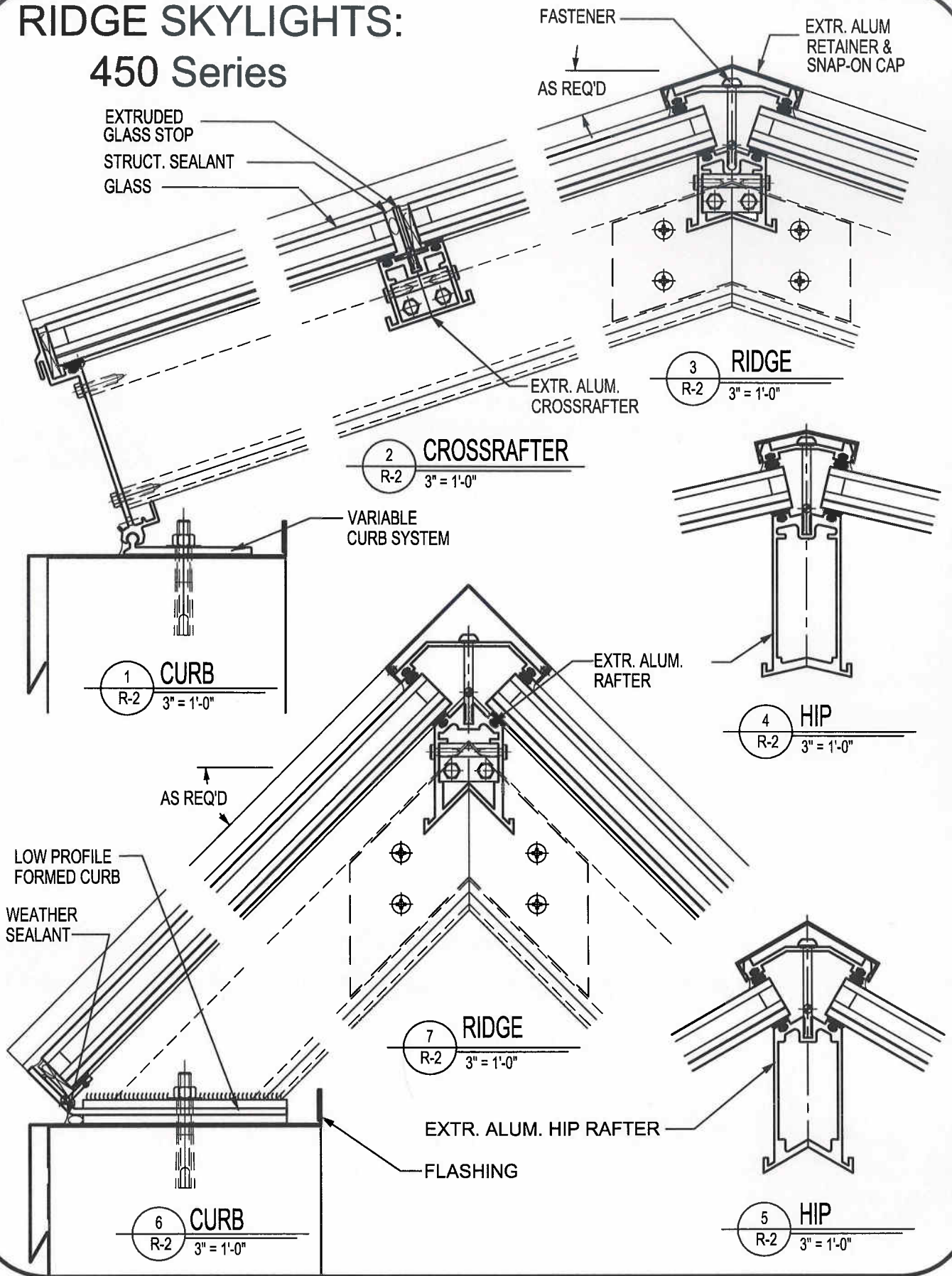
10301 N. Enterprise Drive  
Mequon, Wisconsin 53092

Phone: (262) 242-2000  
Fax: (262) 242-7409  
www.supersky.com

**SUPER SKY**  
**PRODUCTS, INC.**



# RIDGE SKYLIGHTS: 450 Series



**SUPER SKY  
PRODUCTS, INC.**

10301 N. Enterprise Drive  
Mequon, Wisconsin 53092  
Phone: (262) 242-2000  
Fax: (262) 242-7409  
www.supersky.com

