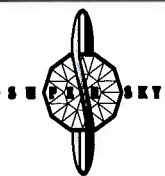
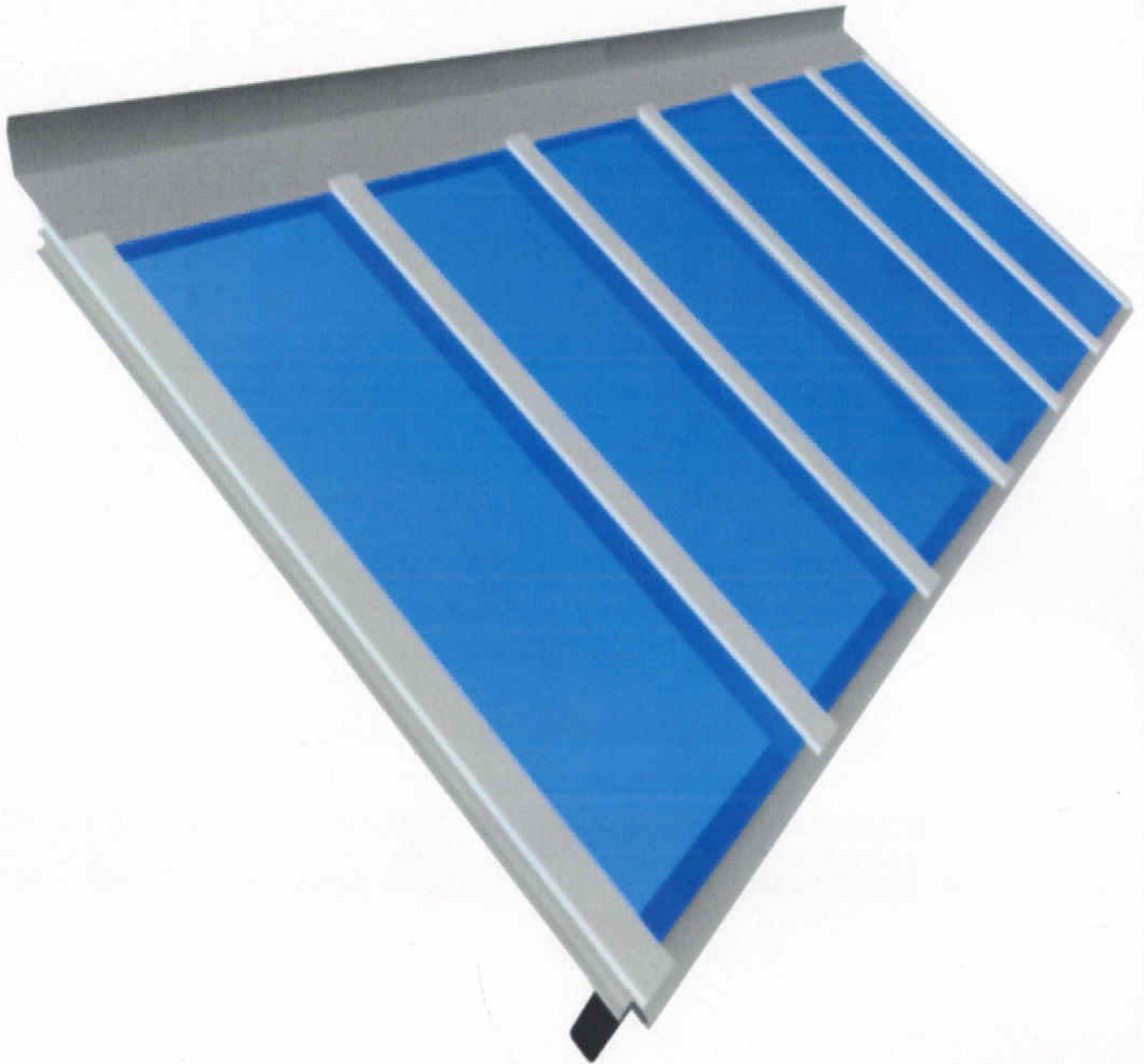


# SINGLE SLOPE SKYLIGHTS GLASS SYSTEM

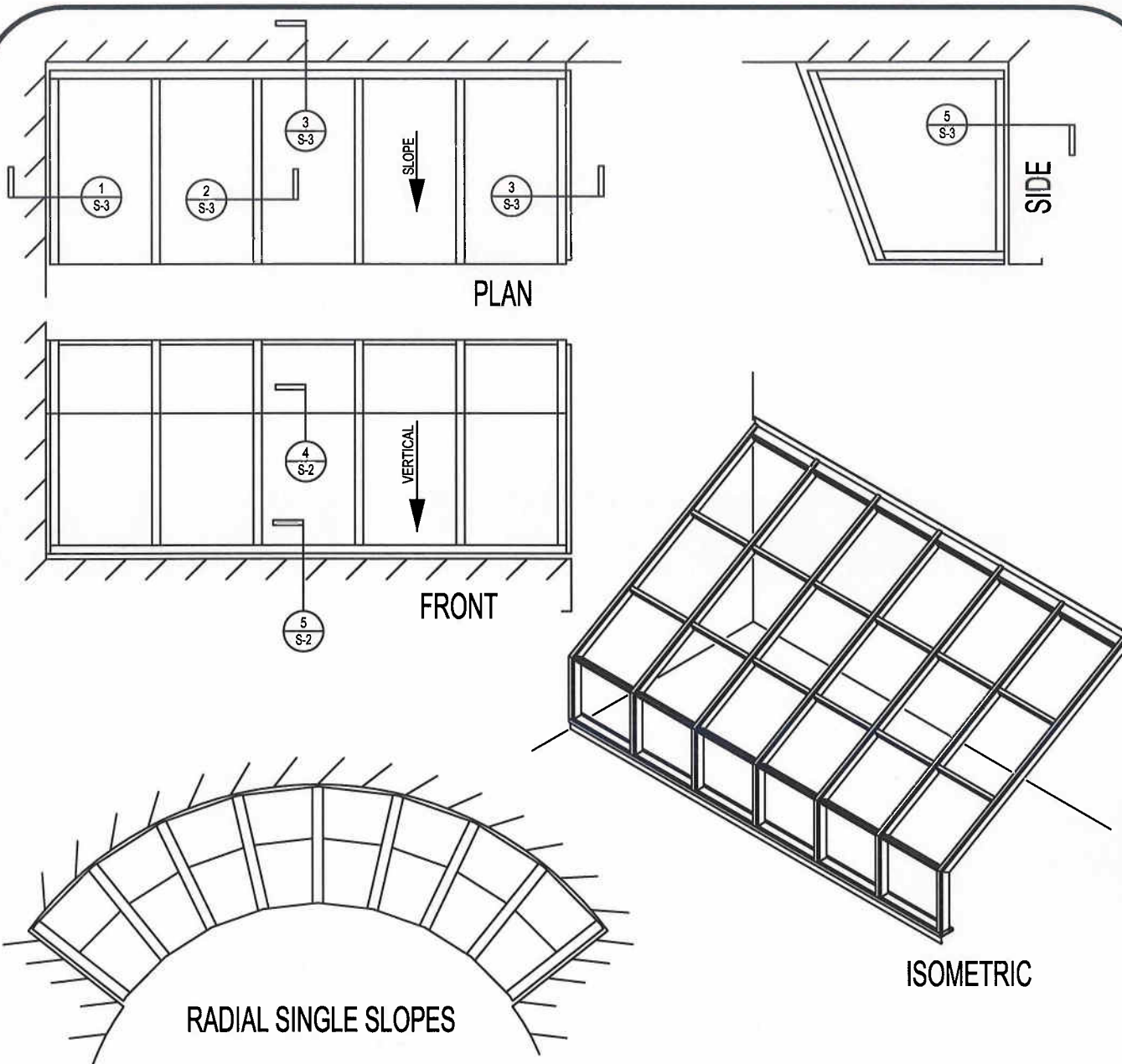


**SUPER SKY  
PRODUCTS, INC.**

10301 N. Enterprise Drive  
Mequon, Wisconsin 53092

Phone: (262) 242-2000  
Fax: (262) 242-7409  
[www.supersky.com](http://www.supersky.com)

**S-CVR**



## SINGLE SLOPE SKYLIGHTS

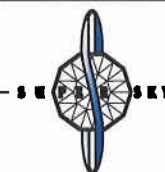
Generally one plane of glass, though two or more could be joined by hips or valleys, or turn into the vertical plane with a "knee". Single slopes can also have vertical ends, forming greenhouse-like enclosures. Most details of plane-changes can be accomplished with a single extrusion, though engineering may require doubled framing members to allow for movement, or to avoid thermal lock-up.

Super Sky Products can integrate all glazing planes in one product system, with single source responsibility for single slope skylight design, engineering, fabrication, installation and a ten-year guarantee.

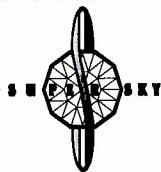
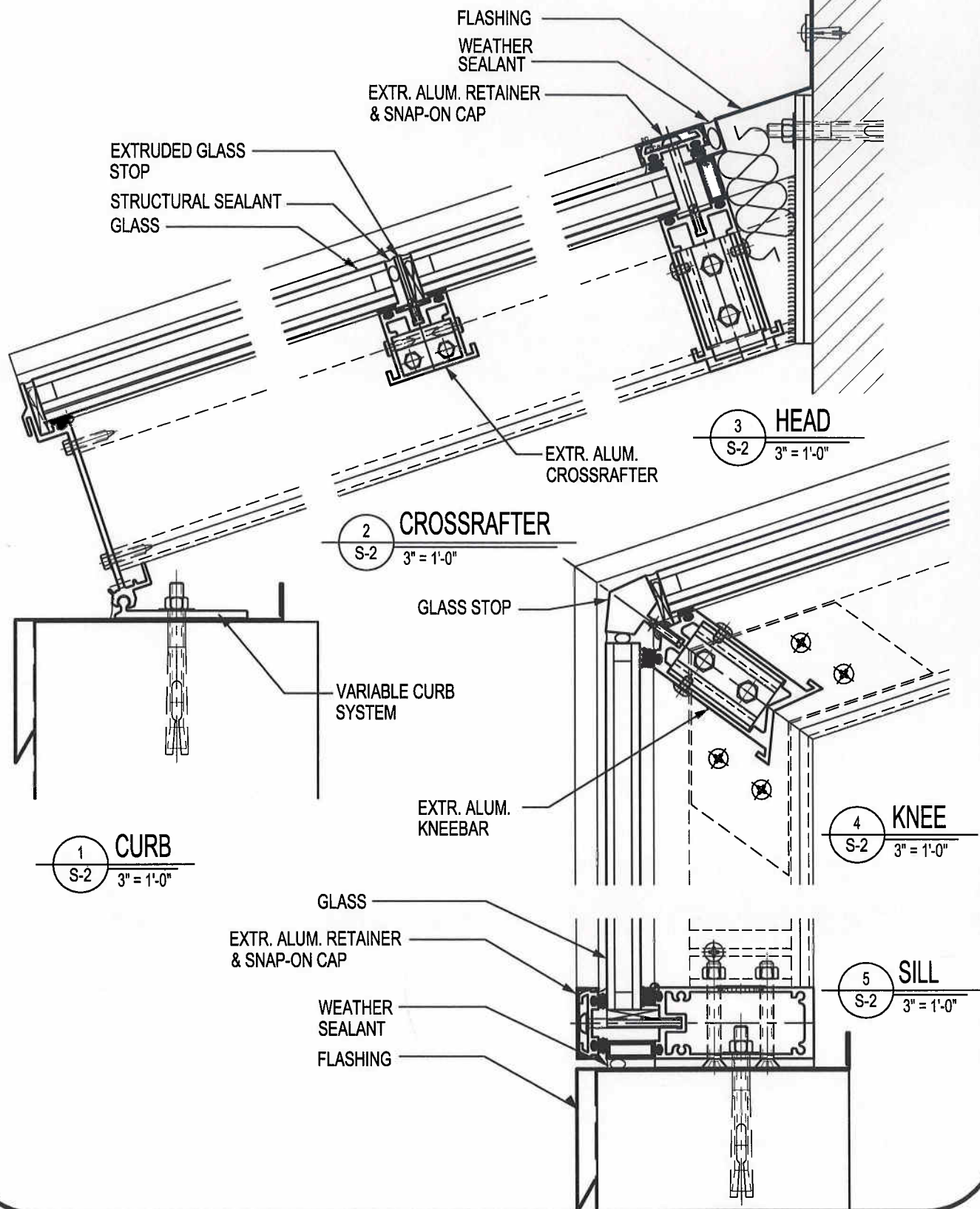
10301 N. Enterprise Drive  
Mequon, Wisconsin 53092

Phone: (262) 242-2000  
Fax: (262) 242-7409  
www.supersky.com

**SUPER SKY**  
**PRODUCTS, INC.**



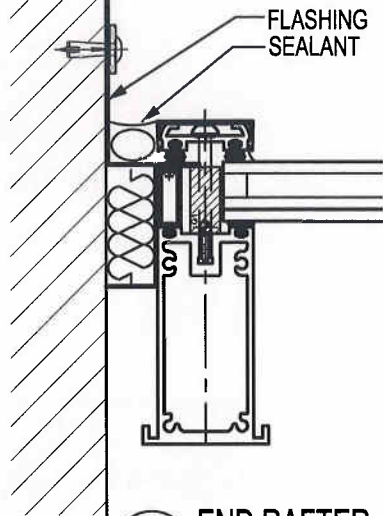
# SINGLE SLOPE SKYLIGHTS: 450 Series



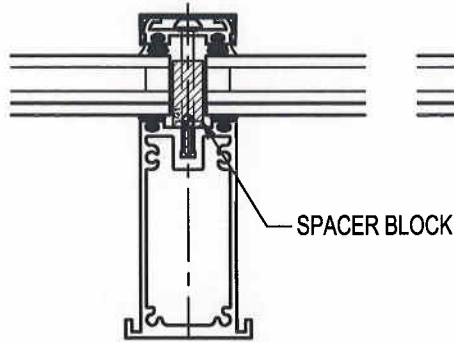
**SUPER SKY  
PRODUCTS, INC.**

10301 N. Enterprise Drive  
Mequon, Wisconsin 53092  
Phone: (262) 242-2000  
Fax: (262) 242-7409  
www.supersky.com

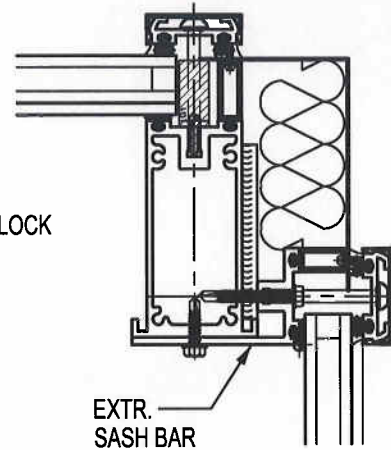
# SINGLE SLOPE SKYLIGHTS: 450 Series



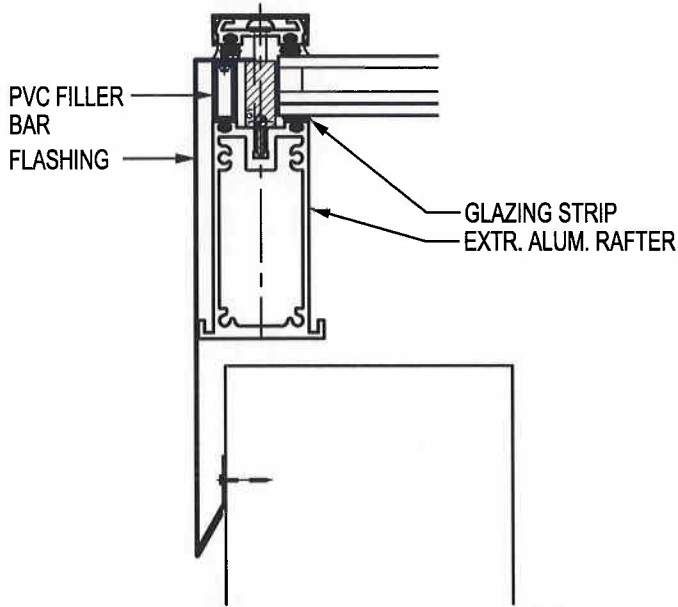
1 END RAFTER  
S-3 3" = 1'-0"



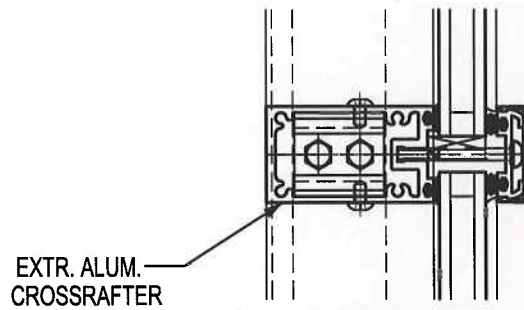
2 RAFTER  
S-3 3" = 1'-0"



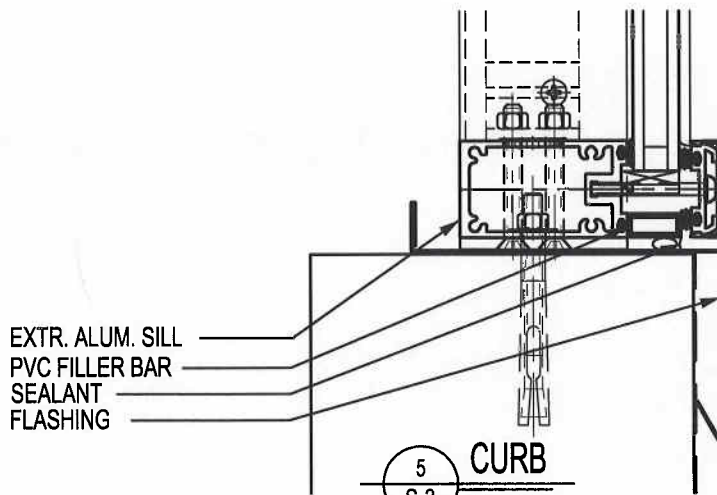
3 SASH  
S-3 3" = 1'-0"



6 END RAFTER  
S-3 3" = 1'-0"



4 CROSSRAFTER  
S-3 3" = 1'-0"

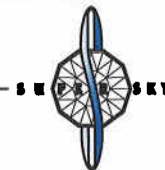


5 CURB  
S-3 3" = 1'-0"

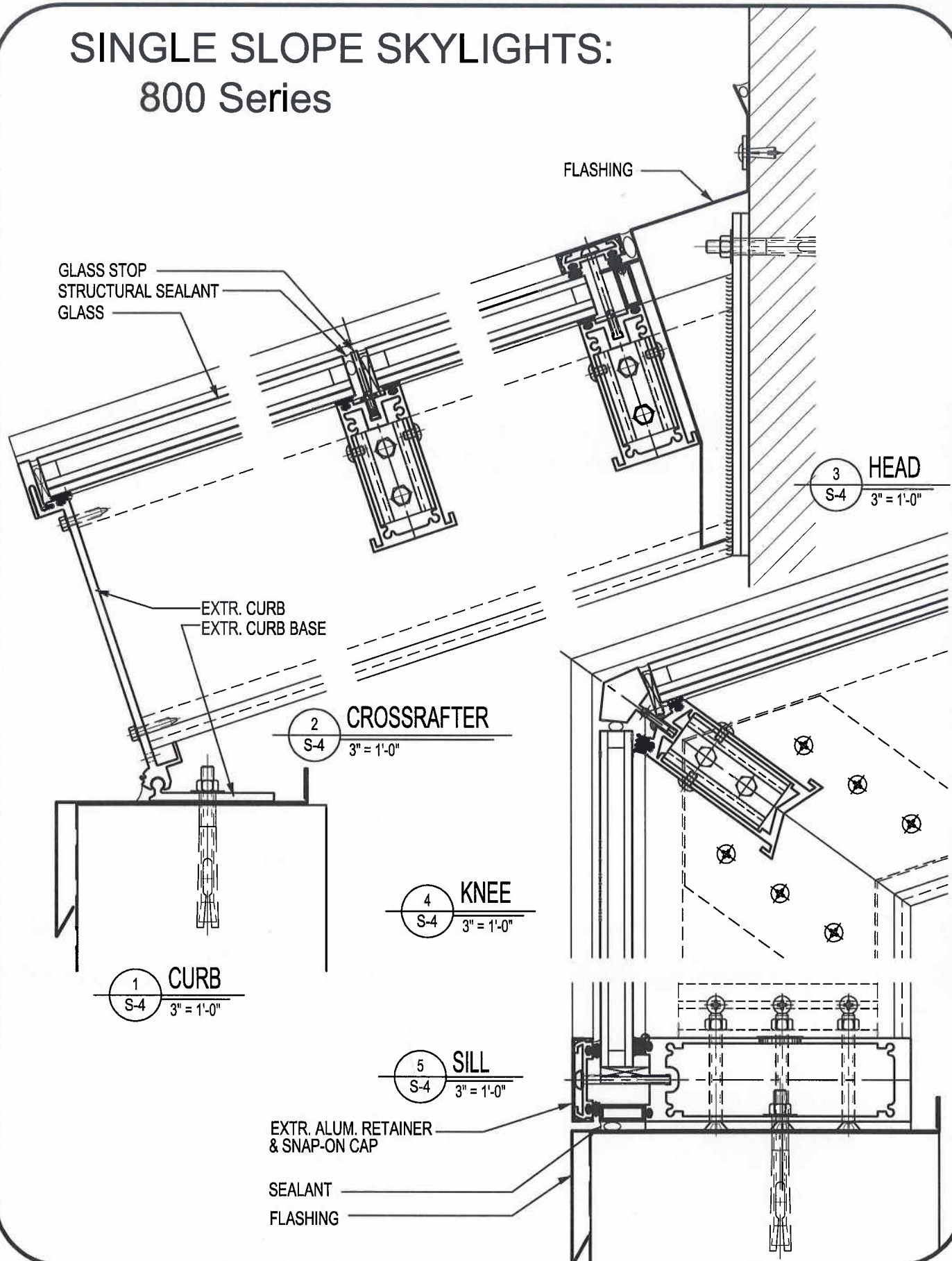
10301 N. Enterprise Drive  
Mequon, Wisconsin 53092

Phone: (262) 242-2000  
Fax: (262) 242-7409  
www.supersky.com

**SUPER SKY**  
**PRODUCTS, INC.**



# SINGLE SLOPE SKYLIGHTS: 800 Series

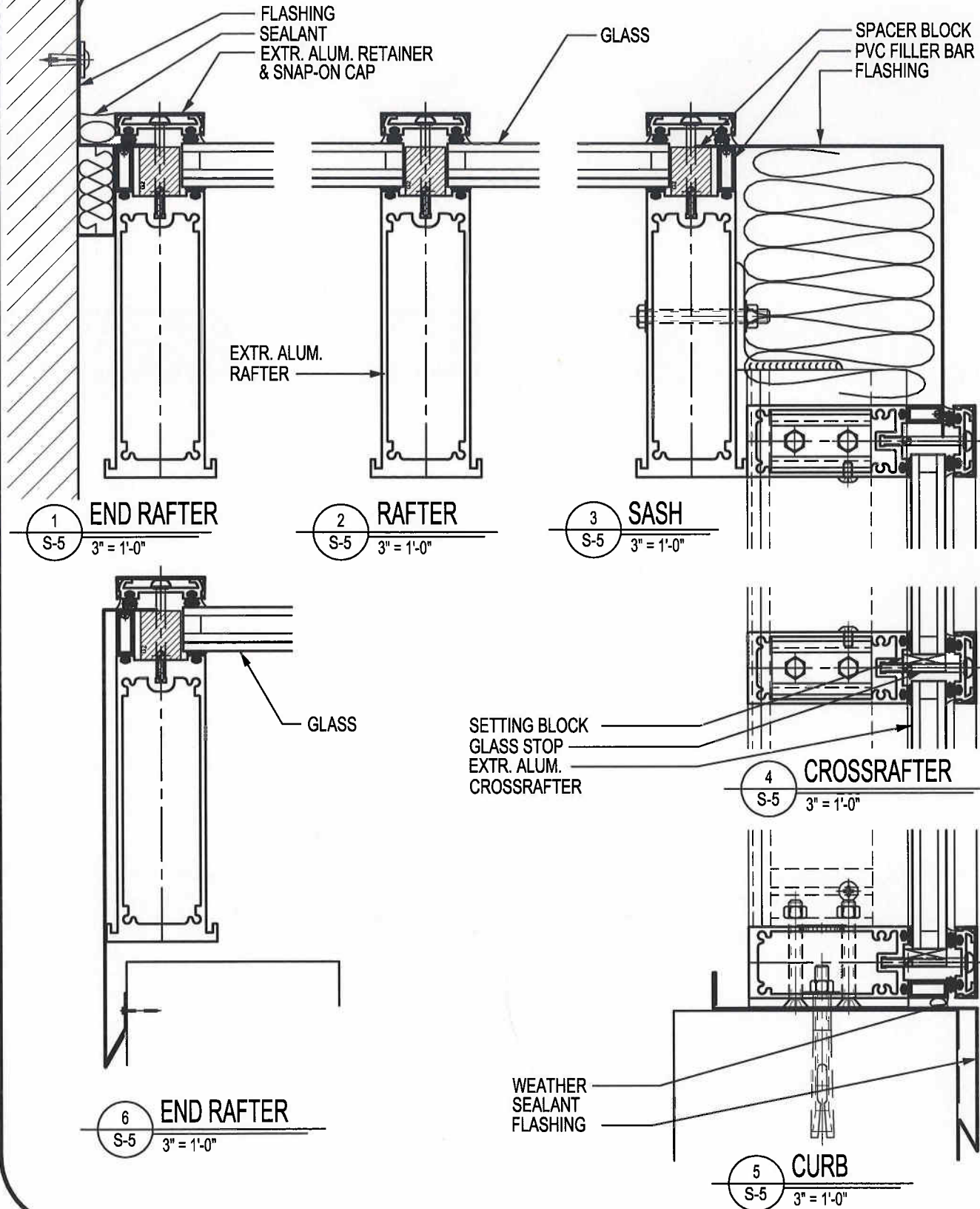


**SUPER SKY  
PRODUCTS, INC.**

10301 N. Enterprise Drive  
Mequon, Wisconsin 53092

Phone: (262) 242-2000  
Fax: (262) 242-7409  
www.supersky.com

# SINGLE SLOPE SKYLIGHTS: 800 Series



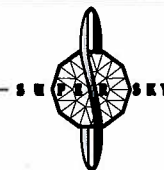
10301 N. Enterprise Drive  
Mequon, Wisconsin 53092

Phone: (262) 242-2000

Fax: (262) 242-7409

www.supersky.com

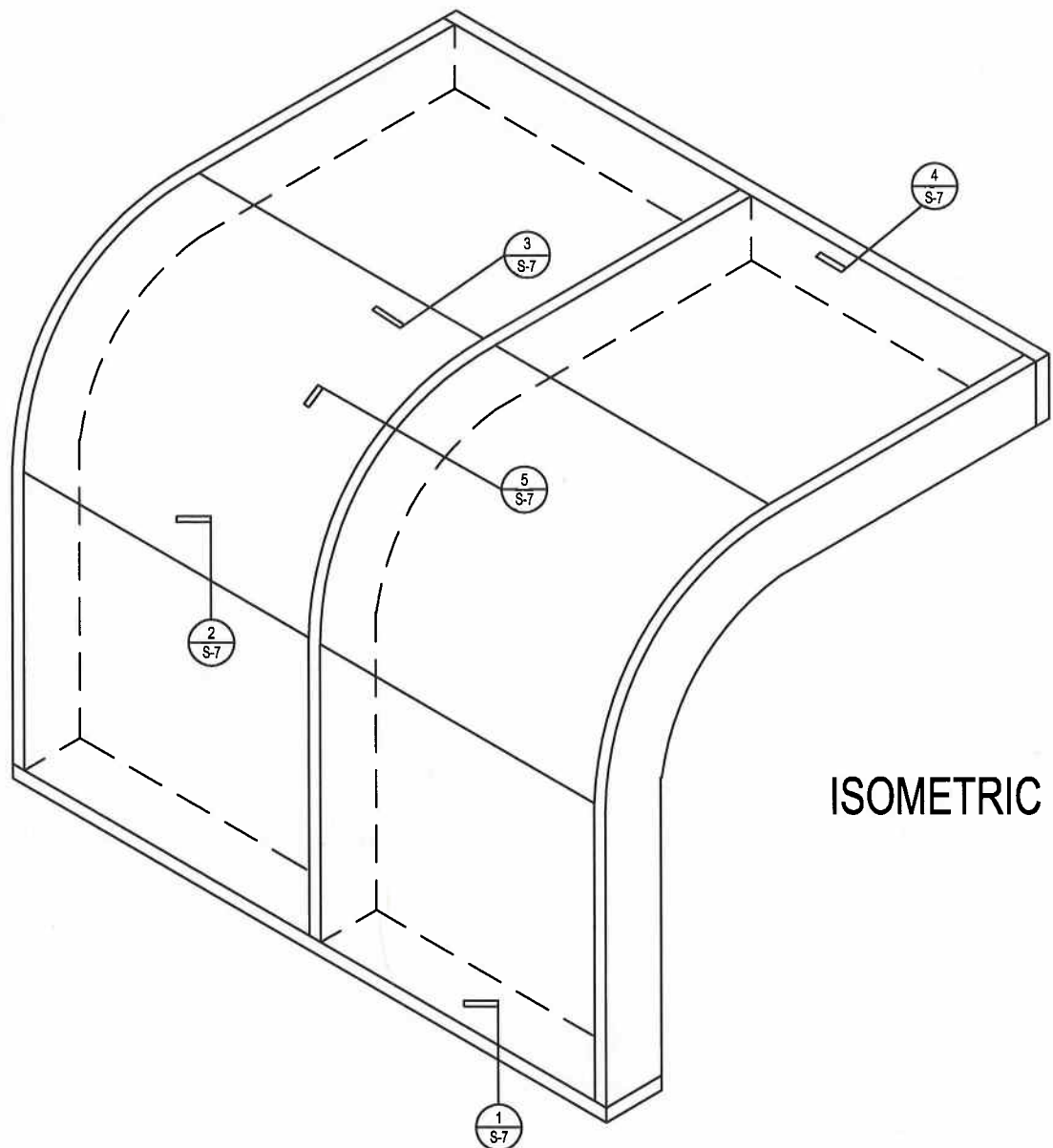
**SUPER SKY**  
**PRODUCTS, INC.**



# CURVED SKYLIGHTS WITH BENT GLASS

Bent glass skylights require special fabrication and installation techniques. There are some unique restrictions to the size of glass. Custom sizes of bent glass cannot be heat-treated. As annealed laminated/insulating units, glass areas should be limited to 24 square feet. Glass should be bent about one axis only. Compound curves are very expensive, fragile and difficult to frame.

Bent rafters require stretchforming (not simple rolling). The ratio of inside radius to rafter depth should be greater than 7:1 for tubular frames and 5:1 for I-beam frames. Crossrafters should be placed at the tangent points of the curve - at the straight-to-curve transition.



**SUPER SKY**  
**PRODUCTS, INC.**

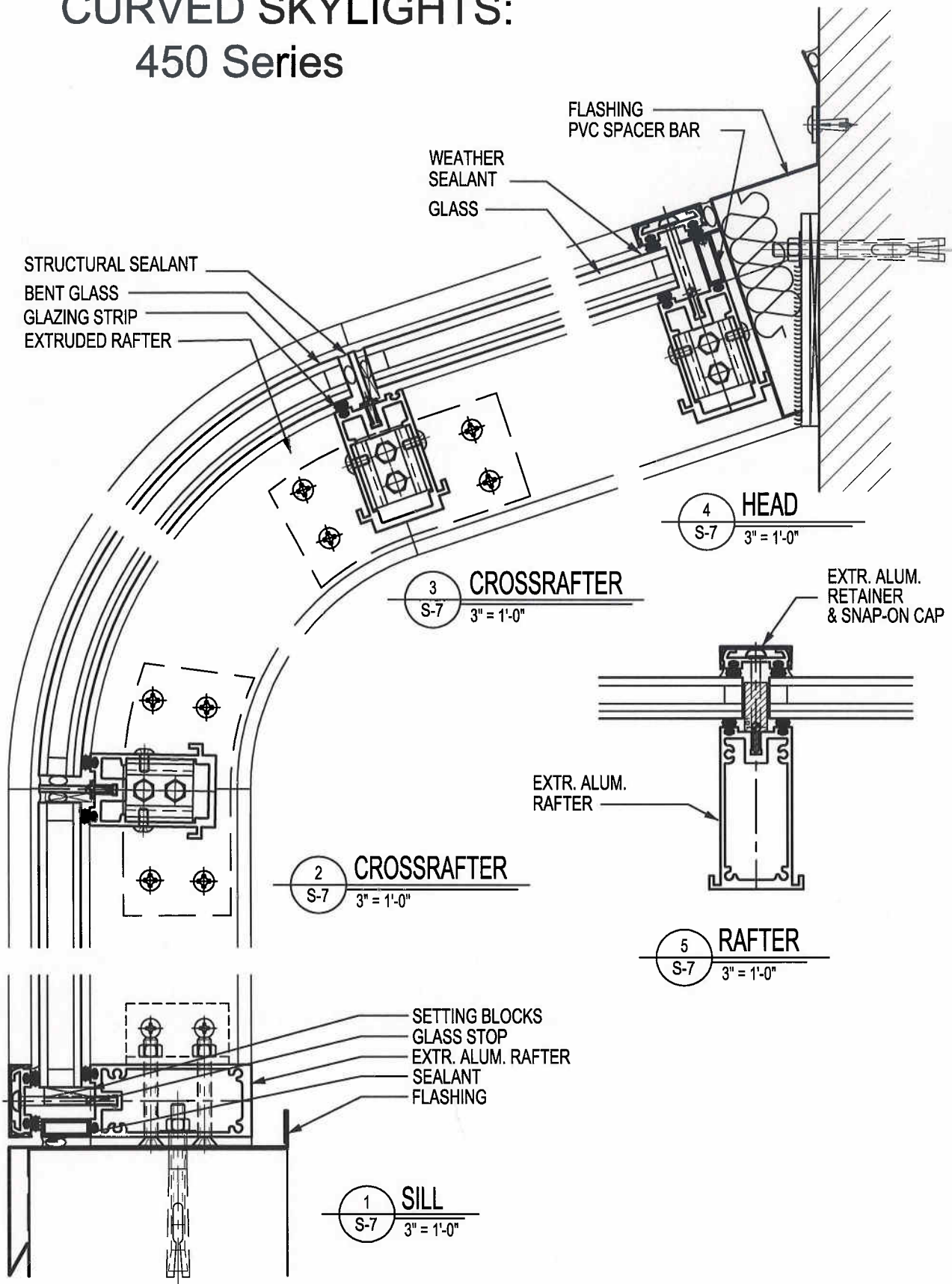
10301 N. Enterprise Drive  
Mequon, Wisconsin 53092

Phone: (262) 242-2000

Fax: (262) 242-7409

[www.supersky.com](http://www.supersky.com)

# CURVED SKYLIGHTS: 450 Series



10301 N. Enterprise Drive  
Mequon, Wisconsin 53092

Phone: (262) 242-2000  
Fax: (262) 242-7409  
www.supersky.com

**SUPER SKY**  
**PRODUCTS, INC.**

