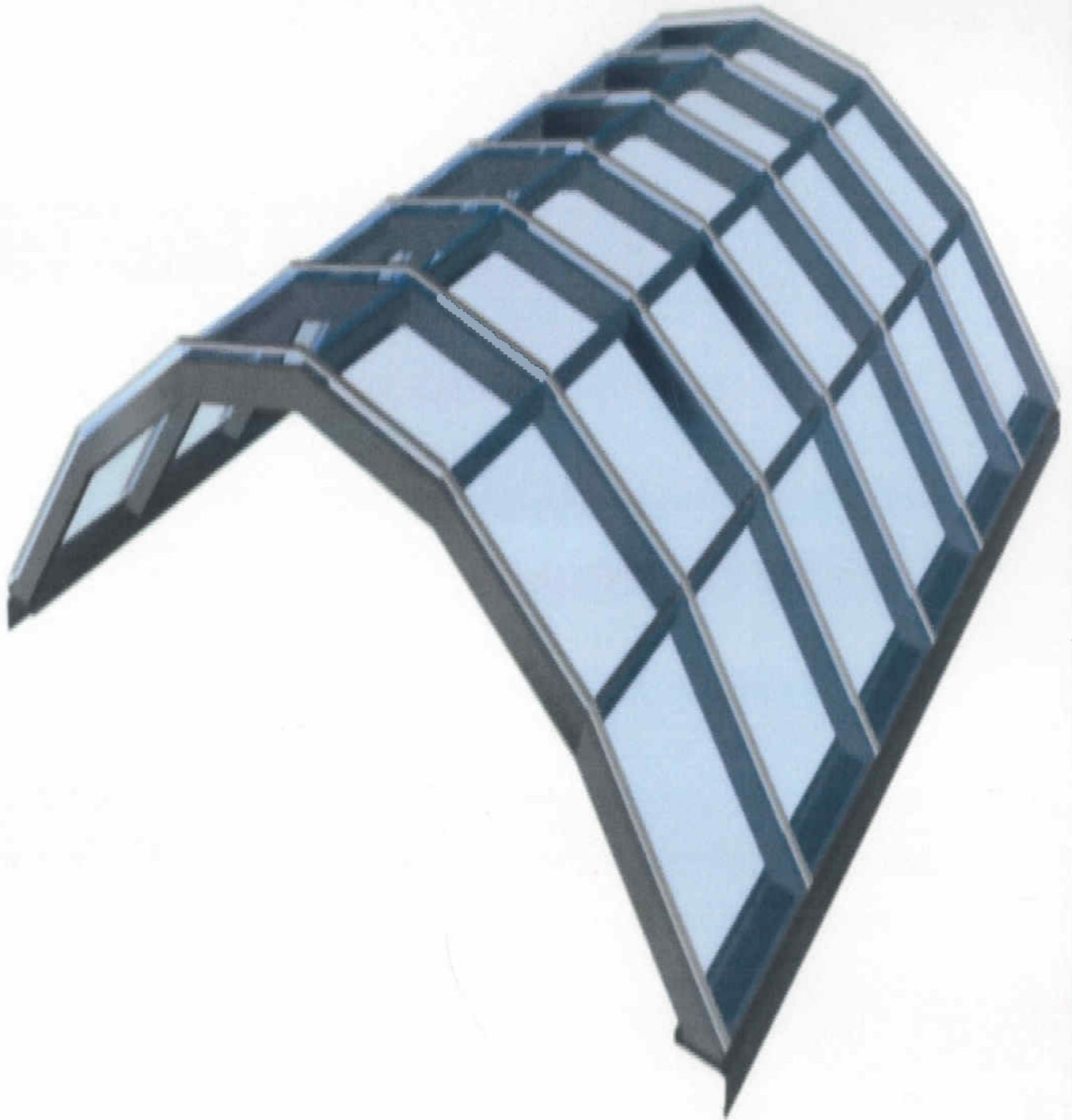


VAULT SKYLIGHTS

GLASS SYSTEM

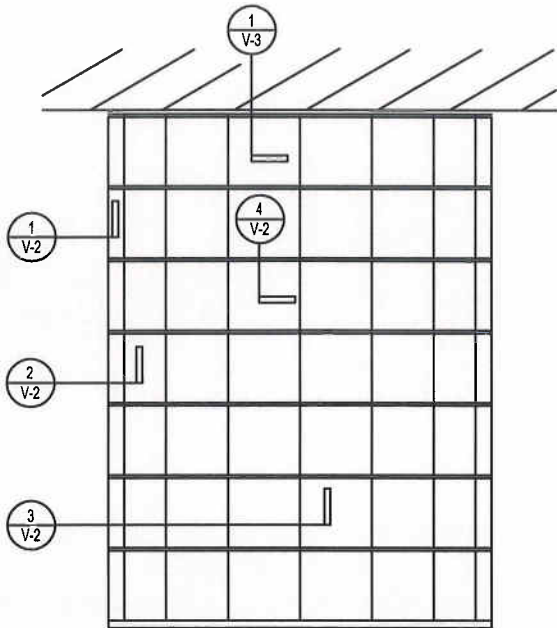


SUPER SKY
PRODUCTS, INC.

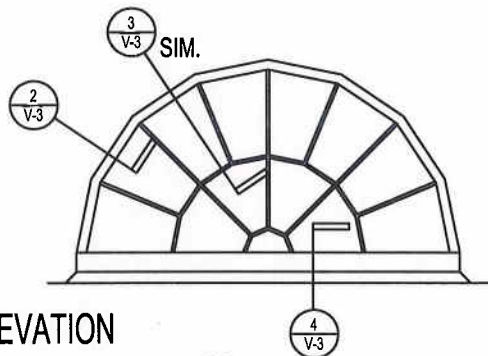
10301 N. Enterprise Drive
Mequon, Wisconsin 53092

Phone: (262) 242-2000
Fax: (262) 242-7409
www.supersky.com

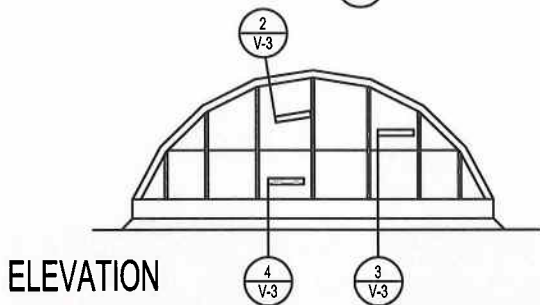
V-CVR



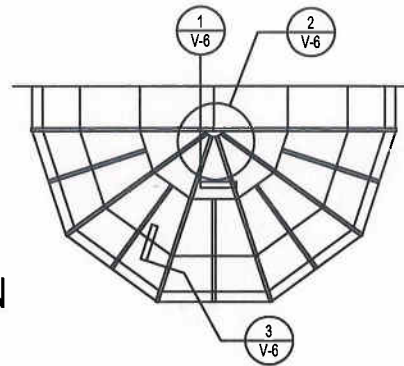
PLAN



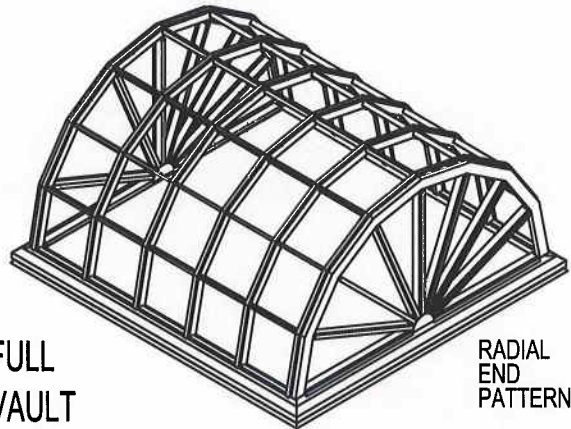
ELEVATION



ELEVATION



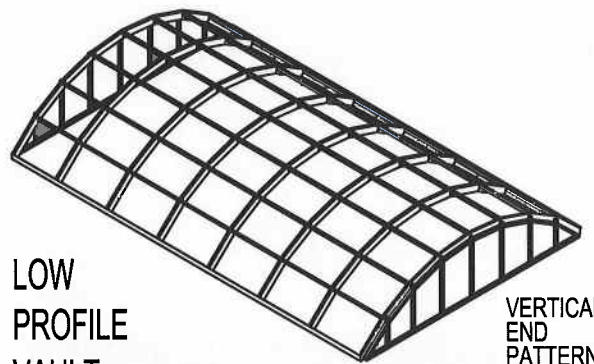
PLAN



FULL
VAULT

RADIAL
END
PATTERN

ISOMETRIC



LOW
PROFILE
VAULT

VERTICAL
END
PATTERN

ISOMETRIC

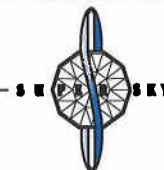
VAULT SKYLIGHTS

Vaulted skylights, in their simplest form, are two-slope ridges or gambrel forms. Any number of sloped segments is possible, governed only by economical lite size and reasonable frame segmentation. It is highly advisable to limit segments to even numbers, avoiding a flat lite at the top. Vaults do not have to be semi-circular in cross section. Lower profiles - down to about 20% of the width - can result in dramatic vaulted forms at great savings in surface area and therefore cost. Vaults can also have vertical or domed ends. Wind load on the ends is an important engineering consideration. Height relative to the vault length determines whether additional structural support is required.

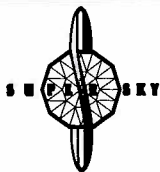
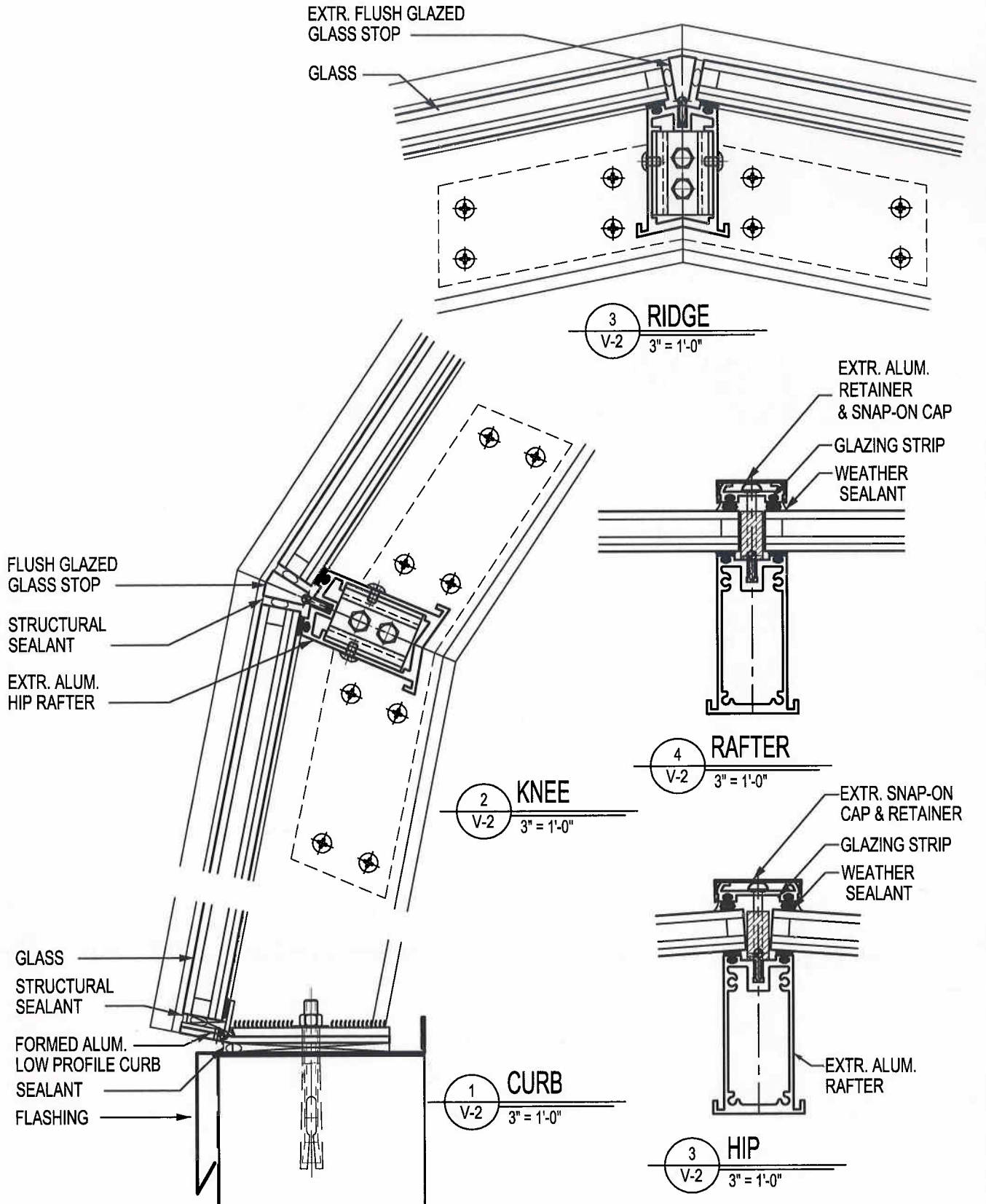
10301 N. Enterprise Drive
Mequon, Wisconsin 53092

Phone: (262) 242-2000
Fax: (262) 242-7409
www.supersky.com

SUPER SKY
PRODUCTS, INC.



VAULT SKYLIGHTS: 450 Series



SUPER SKY
PRODUCTS, INC.

10301 N. Enterprise Drive
 Mequon, Wisconsin 53092
 Phone: (262) 242-2000
 Fax: (262) 242-7409
 www.supersky.com

