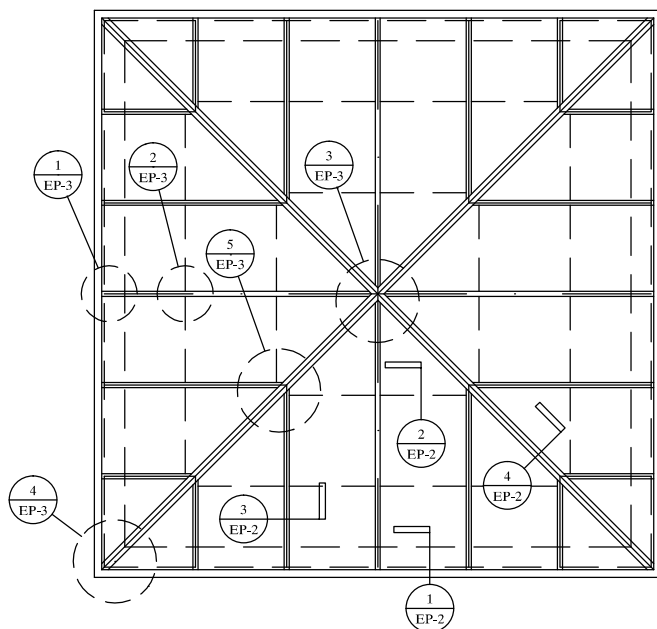
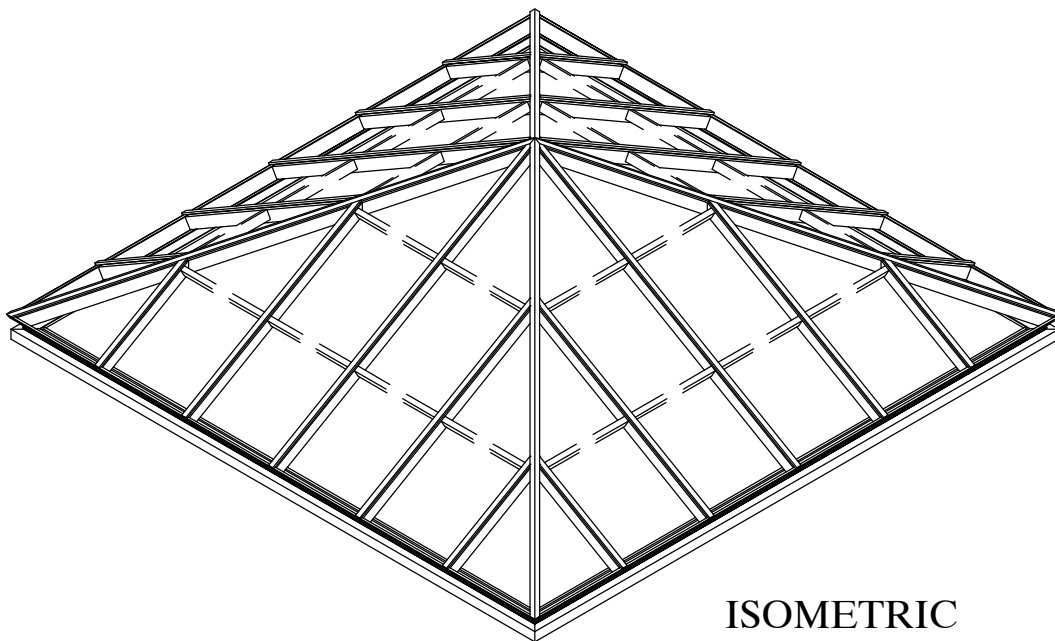


POLY. SYSTEMS: THE EDGE HYBRID PYRAMID



PLAN



ISOMETRIC

THE EDGE Pyramids are generally three or four triangular planes of glazing joined by hips to form a peaked skylight. Almost any variation of this basic definition is available. Panel width can vary from 1'-4" to 5'-0". The wider the panel width, the more economical the skylight.

Super Sky can integrate vertical glazing below the sill in one product system, with single source responsibility for skylight design, engineering, fabrication, and installation.



SUPER SKY PRODUCTS ENTERPRISES, LLC

www.supersky.com

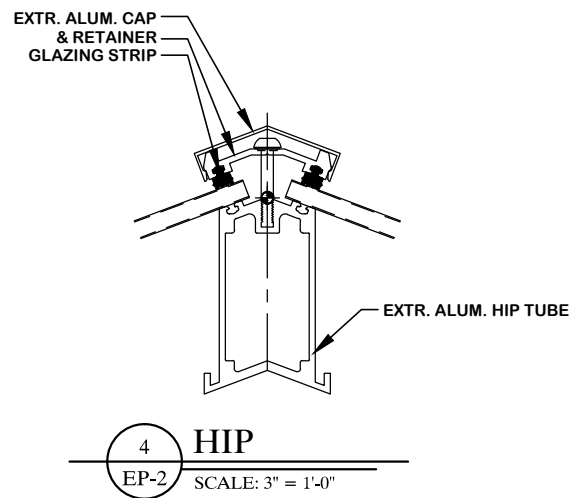
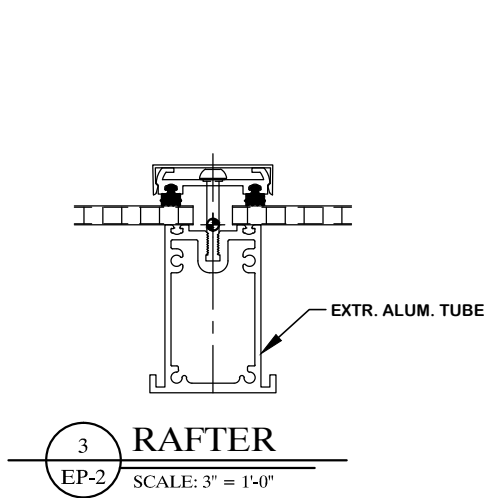
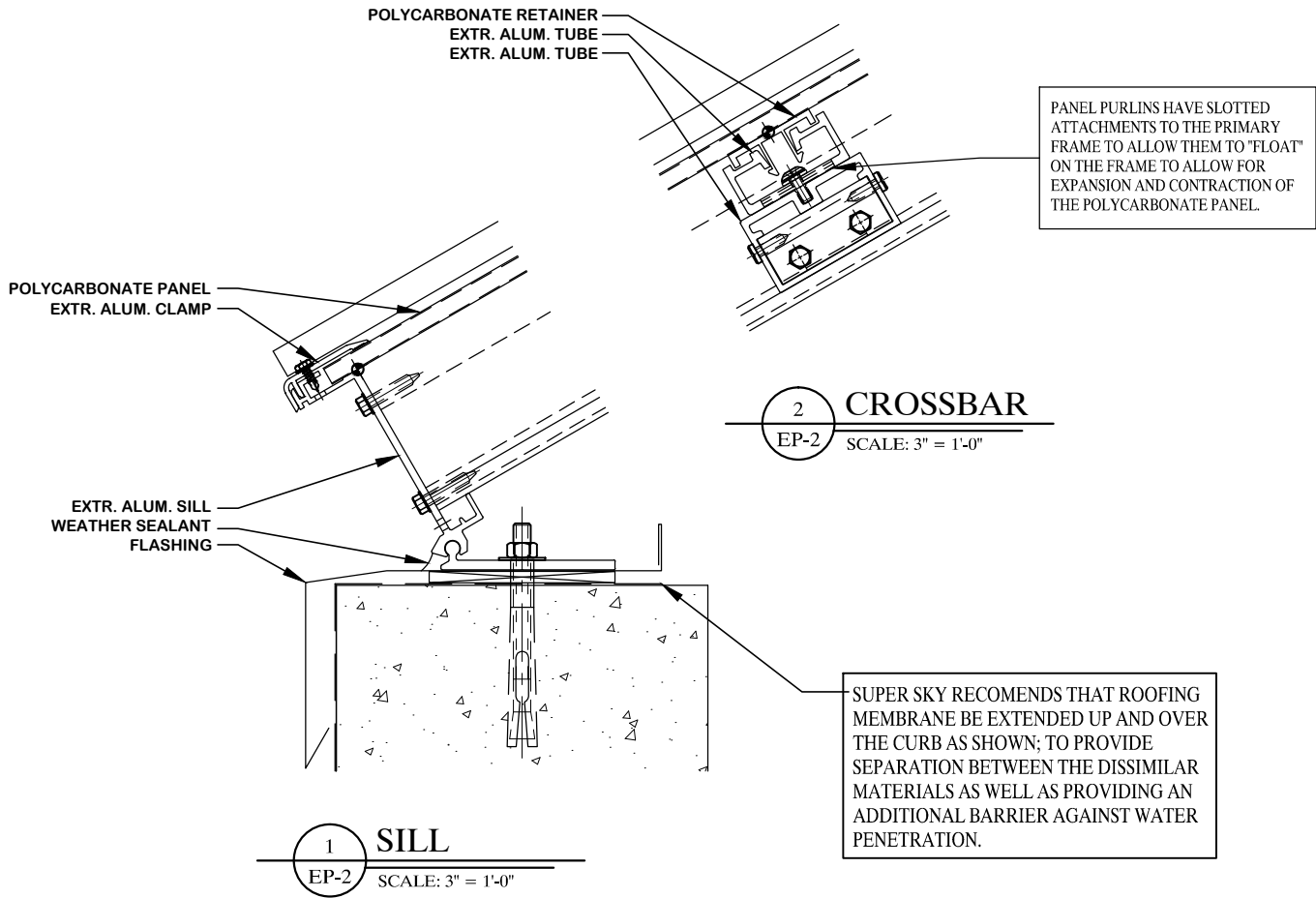
10301 N. Enterprise Drive
Mequon, Wisconsin 53092

Phone: 262.242.2000
Fax: 262.242.7409

EP-1

POLY. SYSTEMS: THE EDGE HYBRID PYRAMID

(Note, framing size will be determined per design load criteria)



SUPER SKY PRODUCTS ENTERPRISES, LLC

www.supersky.com

EP-2

10301 N. Enterprise Drive
Mequon, Wisconsin 53092

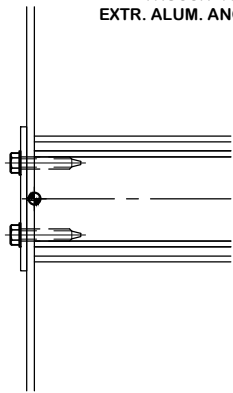
Phone: 262.242.2000
Fax: 262.242.7409



POLY. SYSTEMS: THE EDGE HYBRID PYRAMID

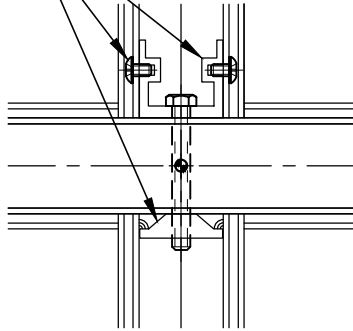
(Note, framing size will be determined per design load criteria)

EXTR. ALUM. CHANNEL
TRUSSHEAD FASTENER
EXTR. ALUM. ANCHOR PLATE

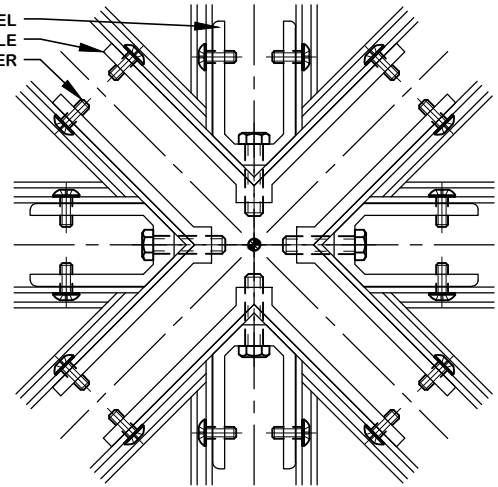


1
SILL CONNECTION
EP-3 SCALE: 3" = 1'-0"

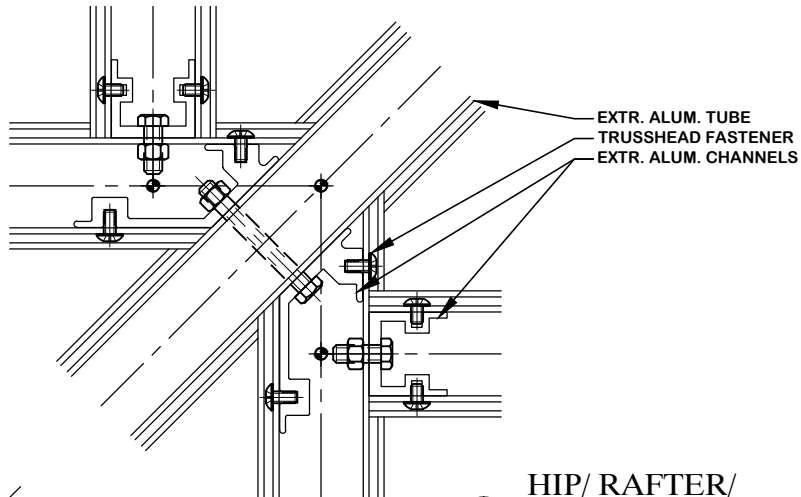
EXTR. ALUM. CHANNEL
EXTR. ALUM. ANGLE
TRUSSHEAD FASTENER



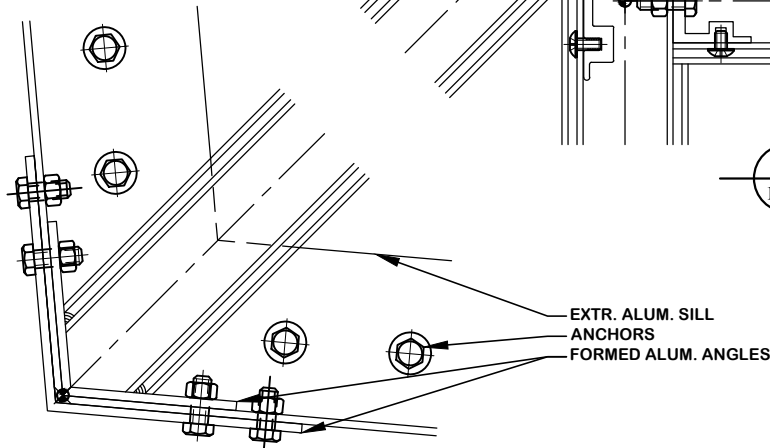
2
RAFTER CONNECTION
EP-3 SCALE: 3" = 1'-0"



3
APEX CONNECTION
EP-3 SCALE: 3" = 1'-0"



5
HIP/ RAFTER/
CROSSBAR
EP-3 SCALE: 3" = 1'-0"



4
SILL / HIP
EP-3 SCALE: 3" = 1'-0"



SUPER SKY PRODUCTS ENTERPRISES, LLC

www.supersky.com

10301 N. Enterprise Drive
Mequon, Wisconsin 53092

Phone: 262.242.2000
Fax: 262.242.7409

EP-3