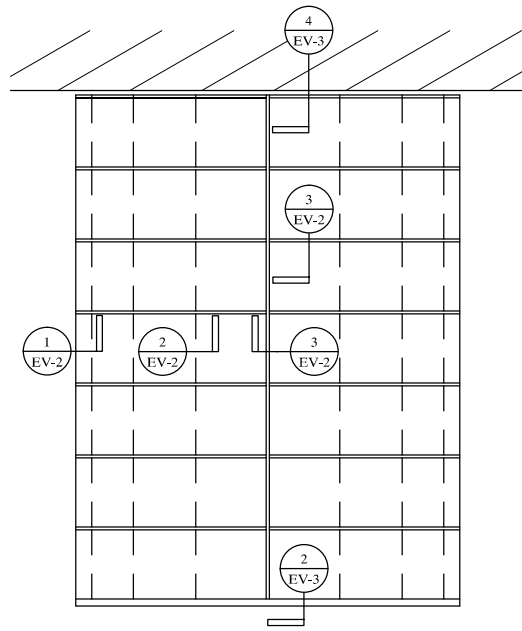
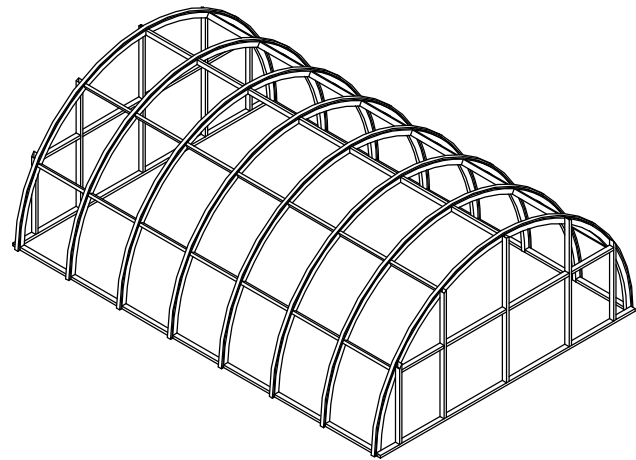


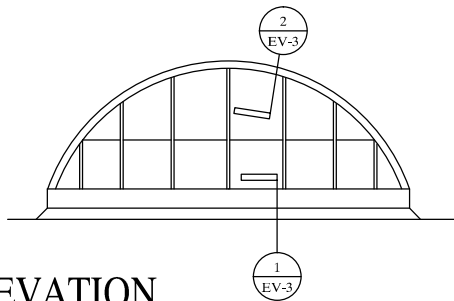
POLY. SYSTEMS: THE EDGE HYBRID VAULT



PLAN



ISOMETRIC



ELEVATION

THE EDGE Vaults are a true radius formed to any radius greater than 9'-6". Vaults do not have to be semi-circular in cross section. Lower profiles - down to 20% of the width - can result in dramatic vaulted forms at great savings in surface area and subsequently in cost. Panel width can vary from 1'-4" to 5'-0". Wider panels generally result in a more economical skylight. Vaults can also have vertical ends.

Super Sky can integrate vertical glazing below the sill in one product system with single source responsibility for skylight design, engineering, fabrication, and installation.



SUPER SKY PRODUCTS ENTERPRISES, LLC

www.supersky.com

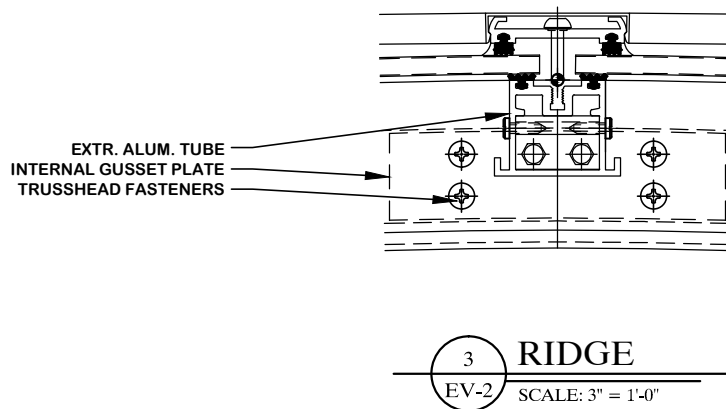
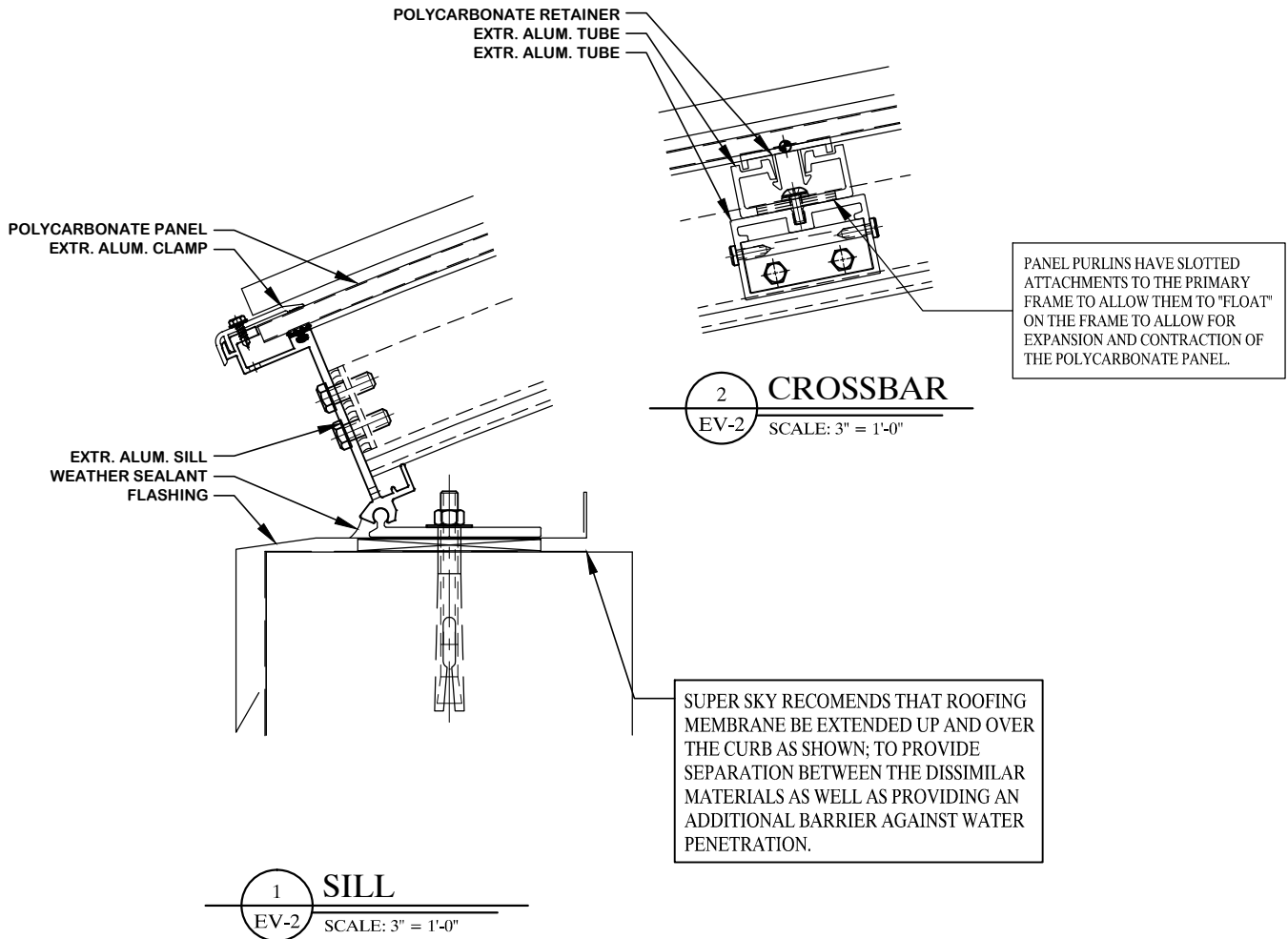
10301 N. Enterprise Drive
Mequon, Wisconsin 53092

Phone: 262.242.2000
Fax: 262.242.7409

EV-1

POLY. SYSTEMS: THE EDGE HYBRID VAULT

(Note, framing size will be determined per design load criteria)



SUPER SKY PRODUCTS ENTERPRISES, LLC

www.supersky.com

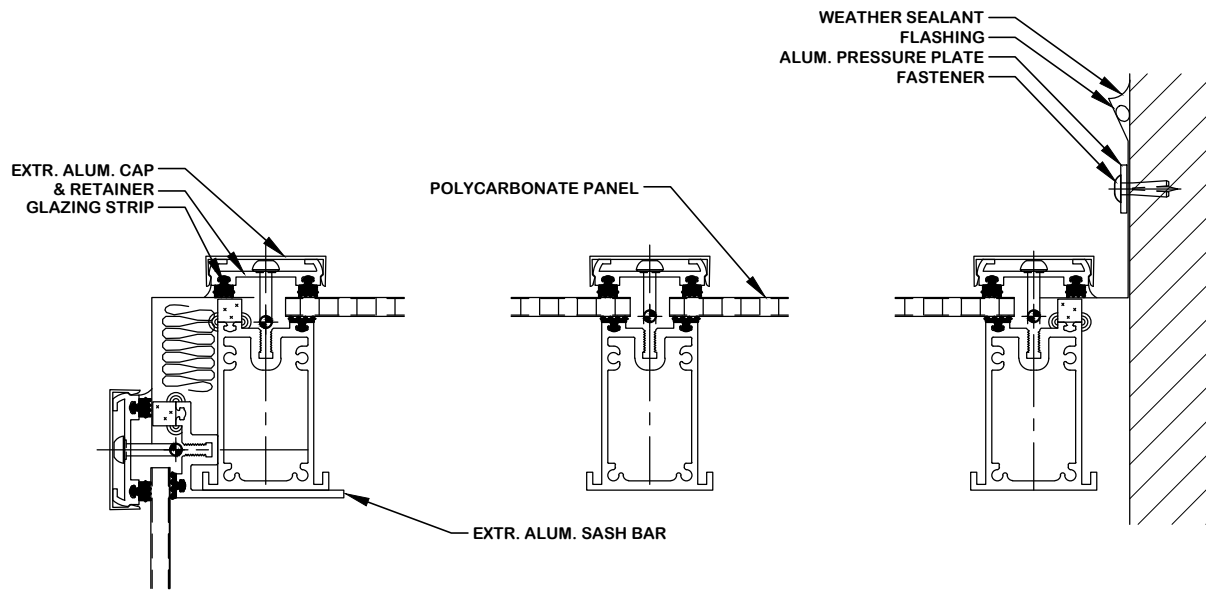
10301 N. Enterprise Drive
Mequon, Wisconsin 53092

Phone: 262.242.2000
Fax: 262.242.7409



POLY. SYSTEMS: THE EDGE HYBRID VAULT

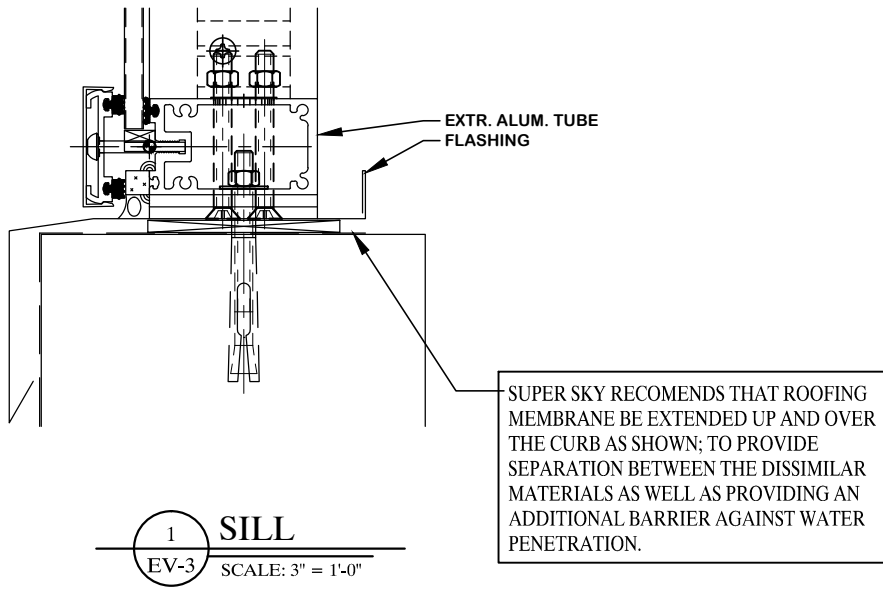
(Note, framing size will be determined per design load criteria)



2 **SASH**
EV-3 SCALE: 3" = 1'-0"

3 **RAFTER**
EV-3 SCALE: 3" = 1'-0"

4 **END RAFTER**
EV-3 SCALE: 3" = 1'-0"



SUPER SKY PRODUCTS ENTERPRISES, LLC

www.supersky.com

10301 N. Enterprise Drive
Mequon, Wisconsin 53092

Phone: 262.242.2000
Fax: 262.242.7409

EV-3